
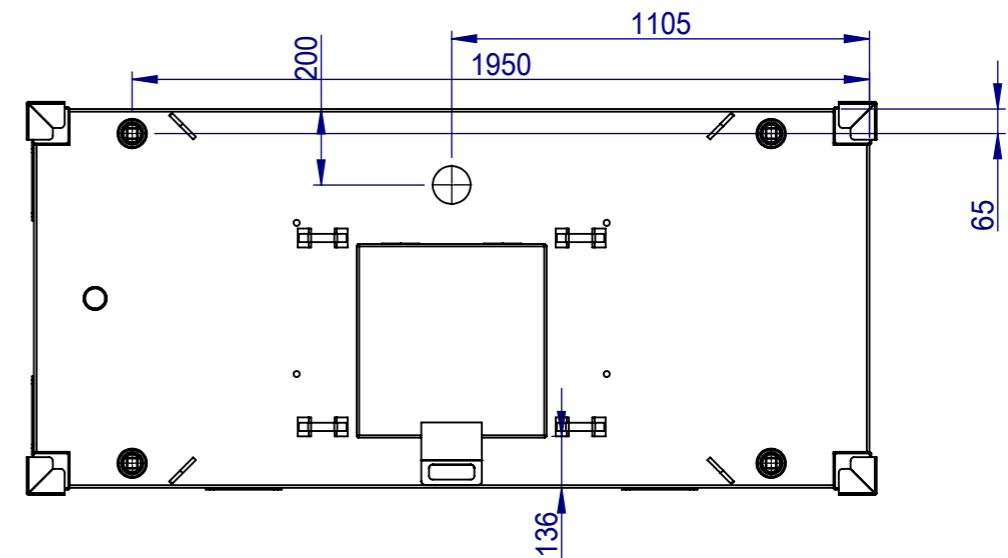
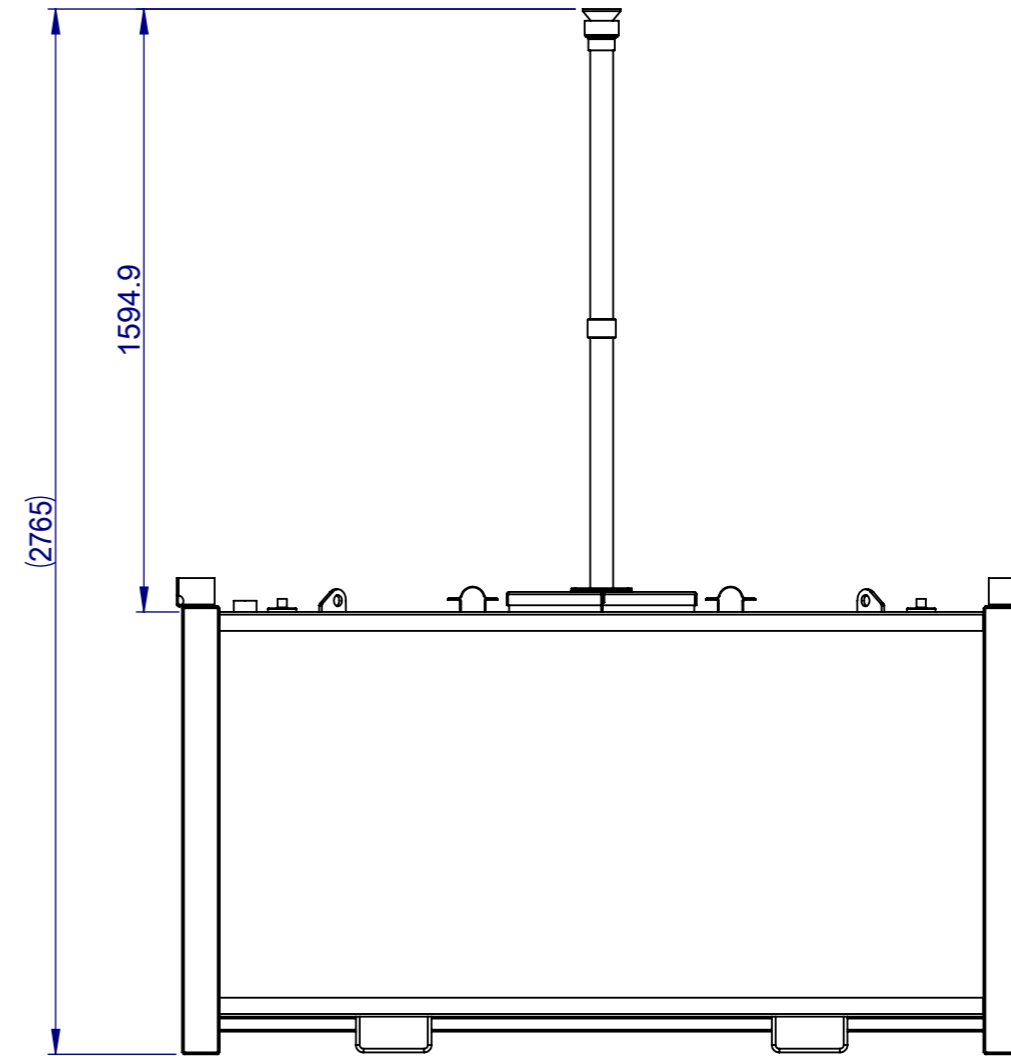
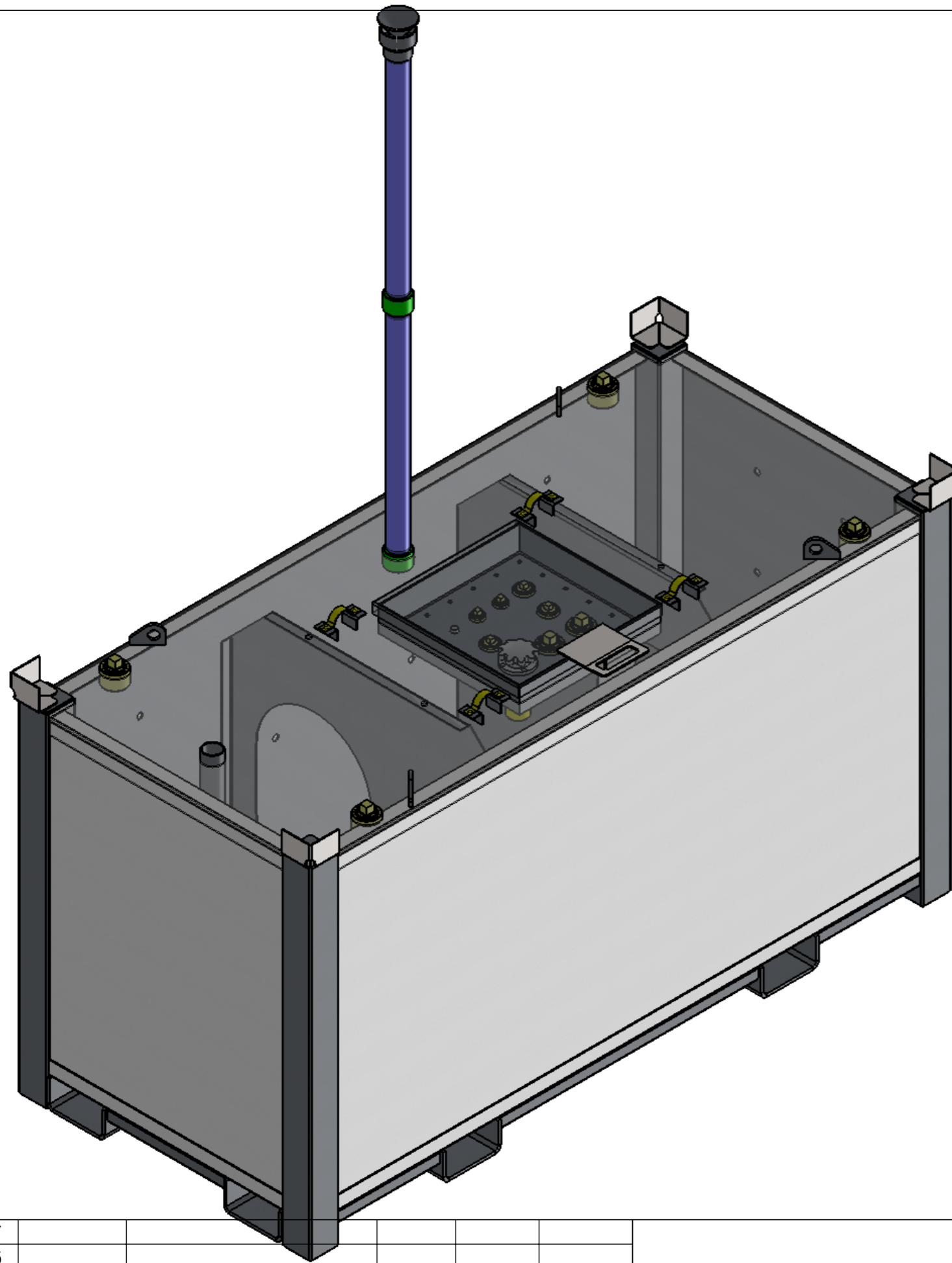


| | | | | | |
|------|-------|-----------|--------|----------|-----------|
| 07 | | | | | |
| 06 | | | | | |
| 05 | | | | | |
| 04 | | | | | |
| 03 | | | | | |
| 02 | | | | | |
| 01 | | | | | |
| REV: | DATE: | REVISION: | DRAWN: | CHECKED: | APPROVED: |

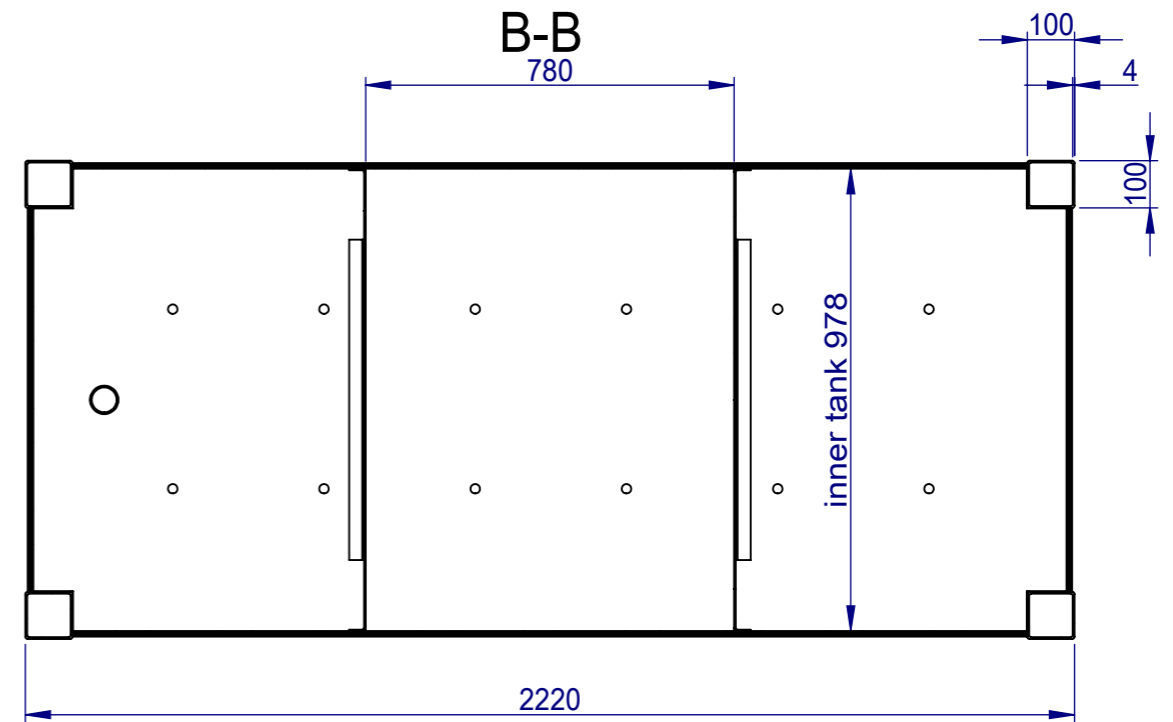
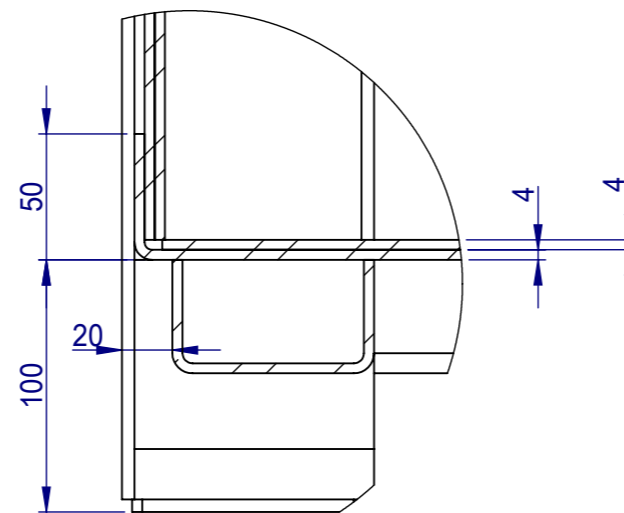
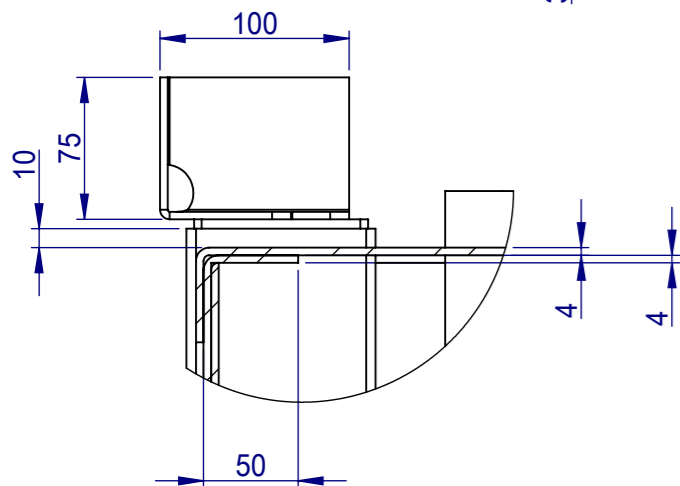
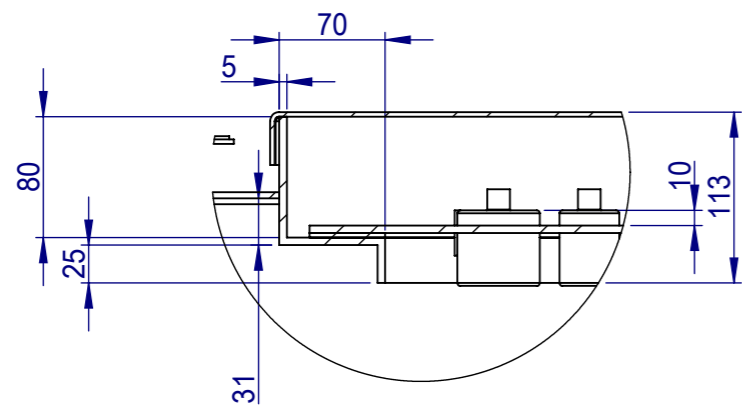
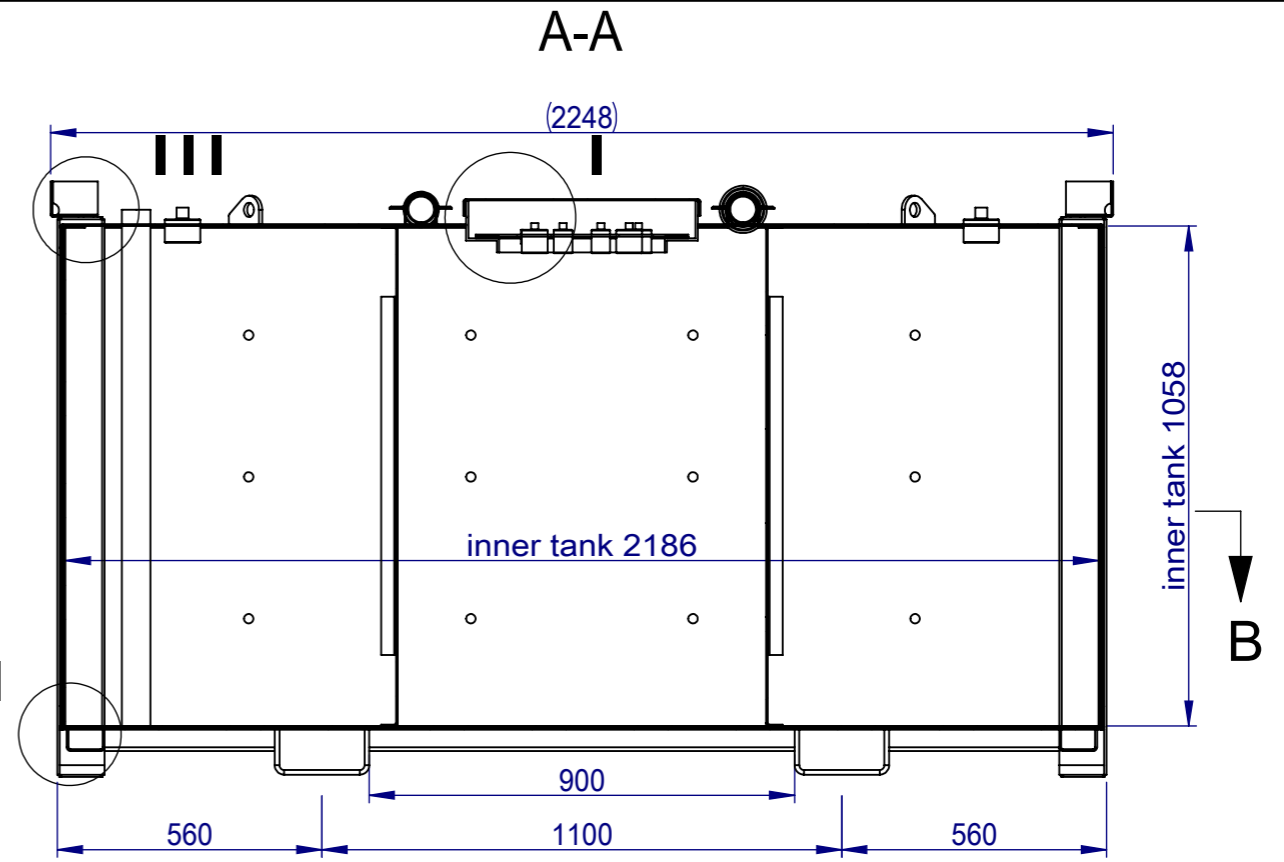
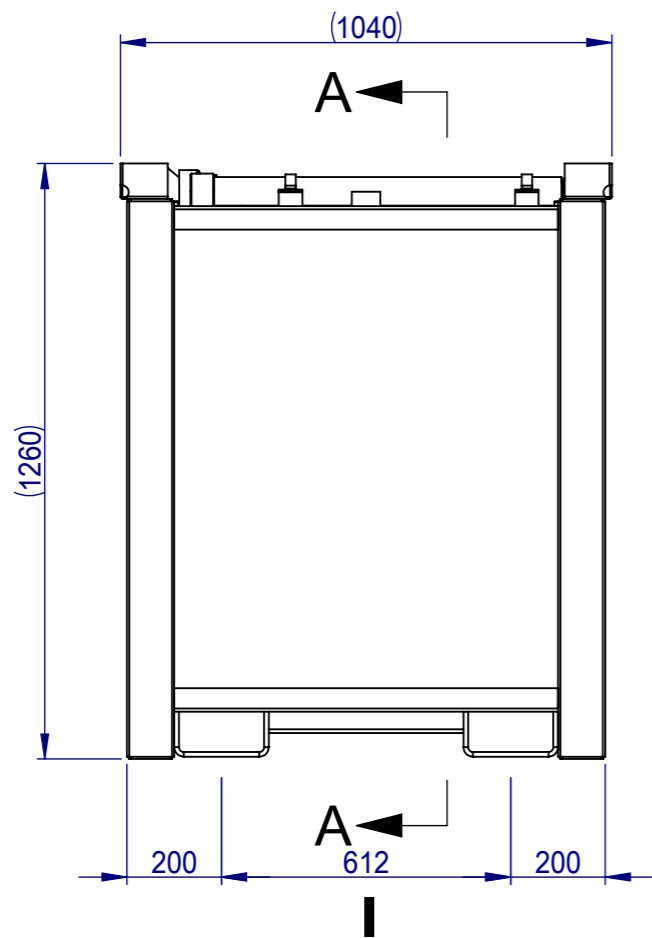
| | | | | |
|---|-----------|-------|----------------------|-----------------|
|  | DRAWN: | DATE: | TITLE: | |
| | CHECKED: | DATE: | P2250 | |
| | CLIENT: | DATE: | DRAWING NO. : | REV: 01 |
| | APPROVED: | DATE: | PURCHASE ORDER NO. : | SHEET: 1 of 6 |
| Material: | | | | Scale: No scale |
| Weight: | 792.34KG | | | ⊕ - ▢ |

A3



| | | | | | |
|------|-------|-----------|--------|----------|-----------|
| 07 | | | | | |
| 06 | | | | | |
| 05 | | | | | |
| 04 | | | | | |
| 03 | | | | | |
| 02 | | | | | |
| 01 | | | | | |
| REV: | DATE: | REVISION: | DRAWN: | CHECKED: | APPROVED: |

| | | | | | |
|------------------|-----------|-------|----------------------|--------------------|----|
| | DRAWN: | DATE: | TITLE: P2250 | | |
| | CHECKED: | DATE: | | | |
| Material: | CLIENT: | DATE: | DRAWING NO. : | REV: 01 | A3 |
| Weight: 817.27KG | APPROVED: | DATE: | PURCHASE ORDER NO. : | SHEET: 3 of 6 | |
| | | | | Scale: No scale | |



| | | | | | |
|------|-------|-----------|--------|----------|-----------|
| 07 | | | | | |
| 06 | | | | | |
| 05 | | | | | |
| 04 | | | | | |
| 03 | | | | | |
| 02 | | | | | |
| 01 | | | | | |
| REV: | DATE: | REVISION: | DRAWN: | CHECKED: | APPROVED: |



Material:
Weight: 792.34KG

DRAWN:

CHECKED:

CLIENT:

APPROVED:

DATE:

DATE:

DATE:

DATE:

TITLE:

P2250

DRAWING NO. :

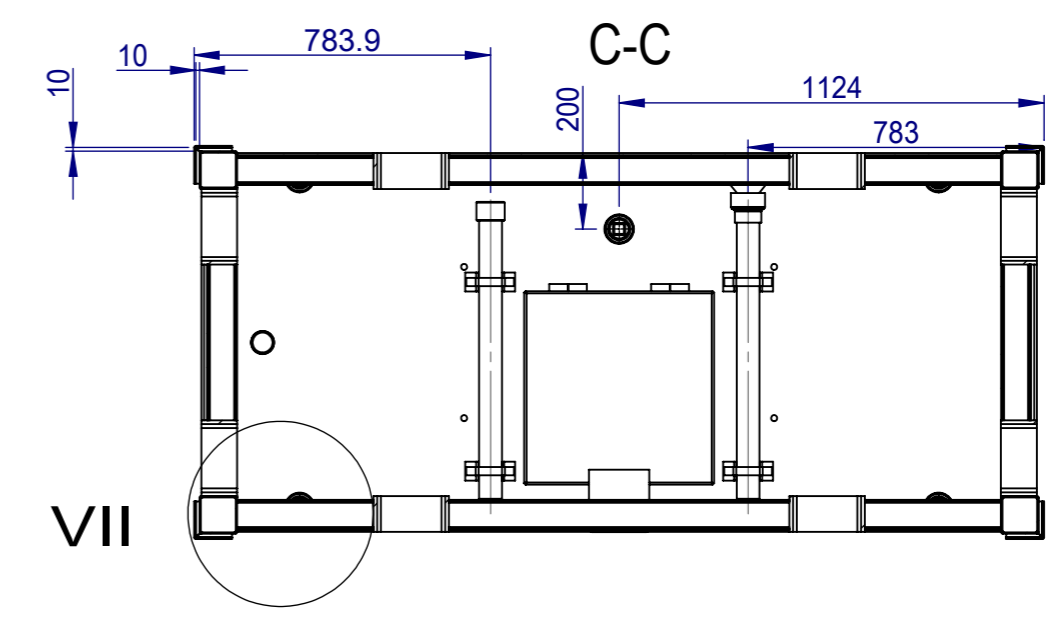
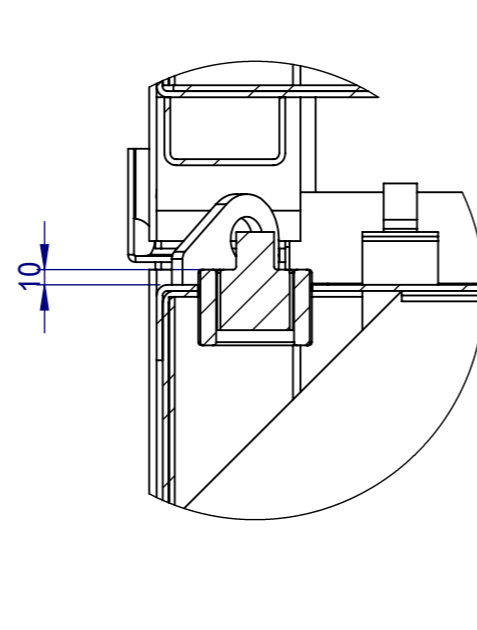
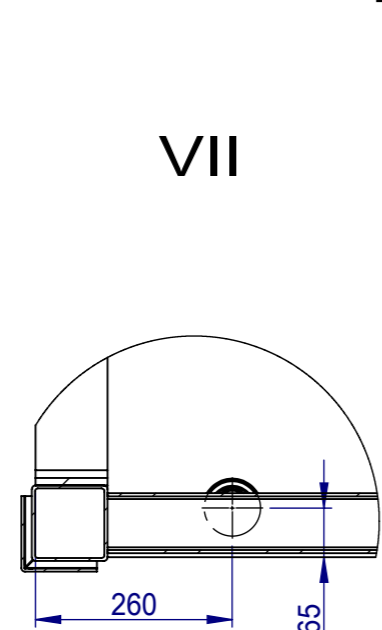
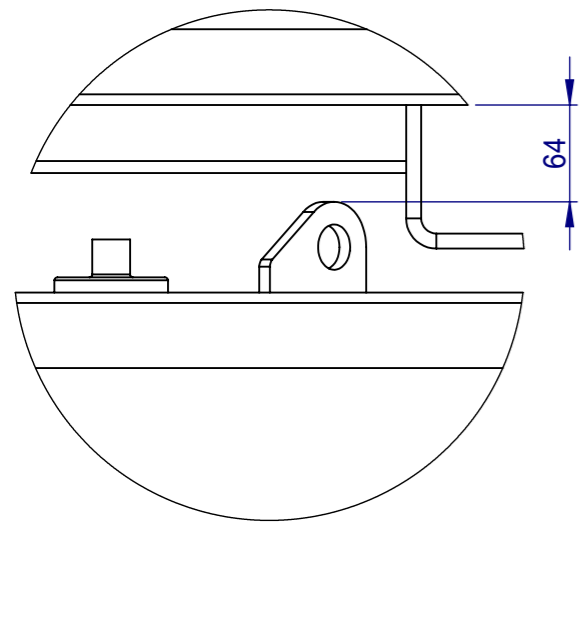
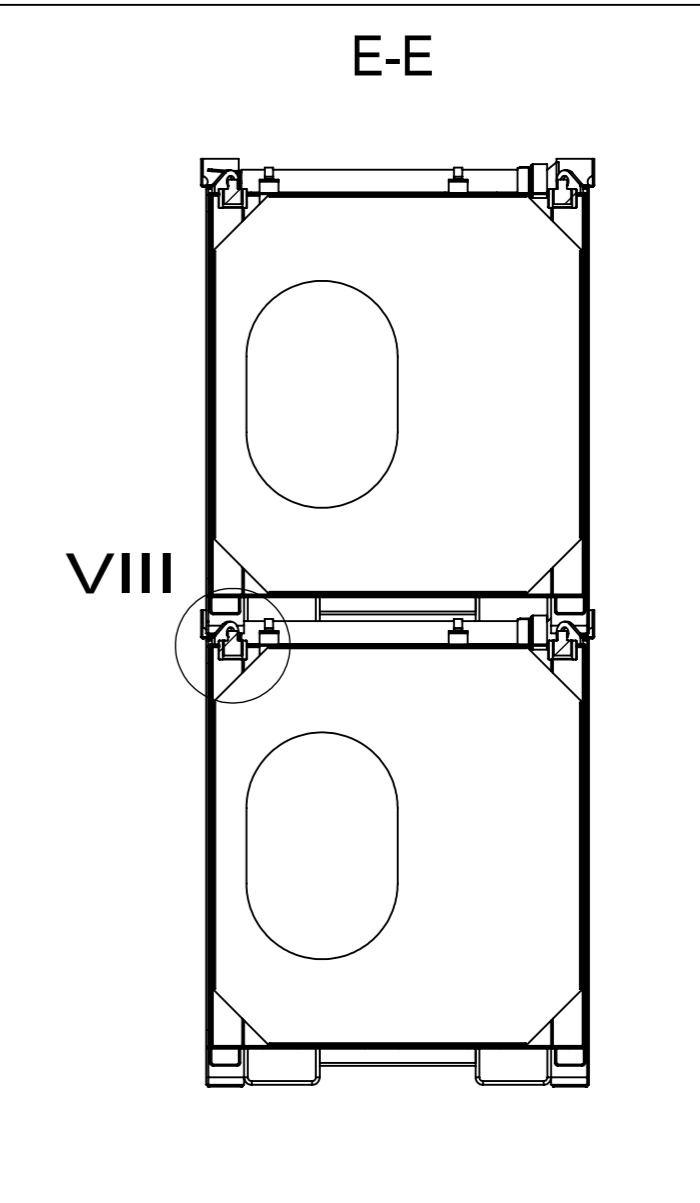
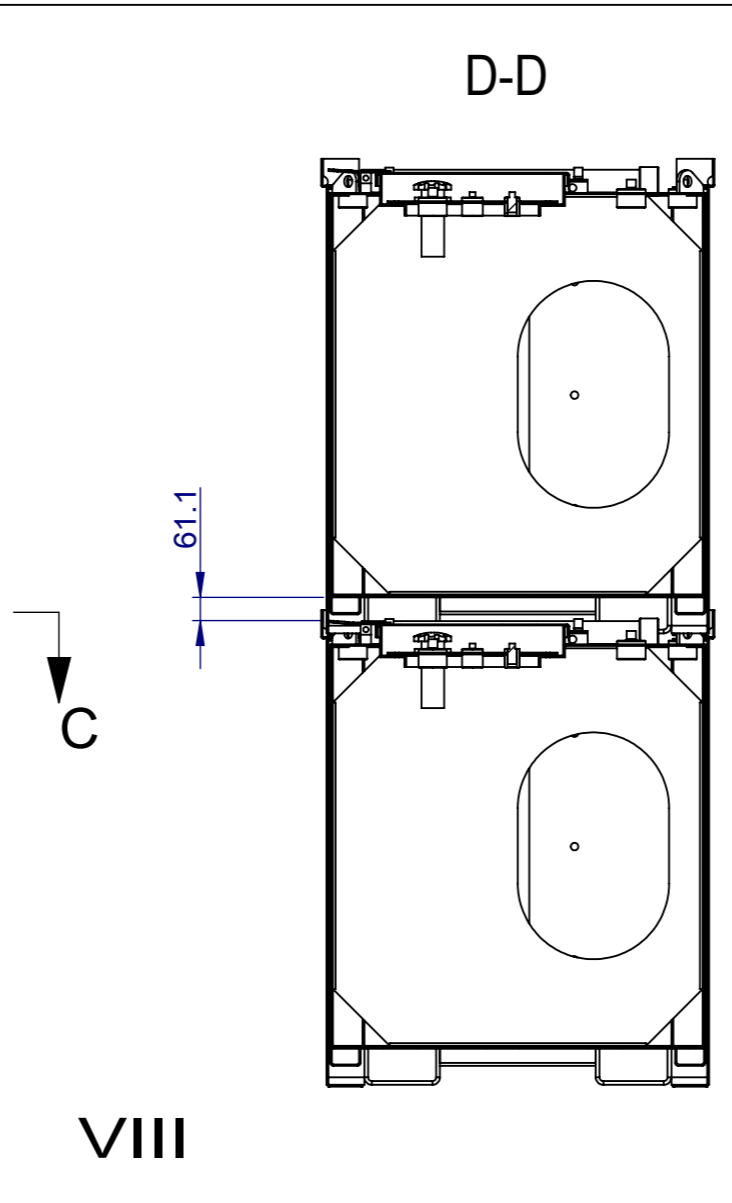
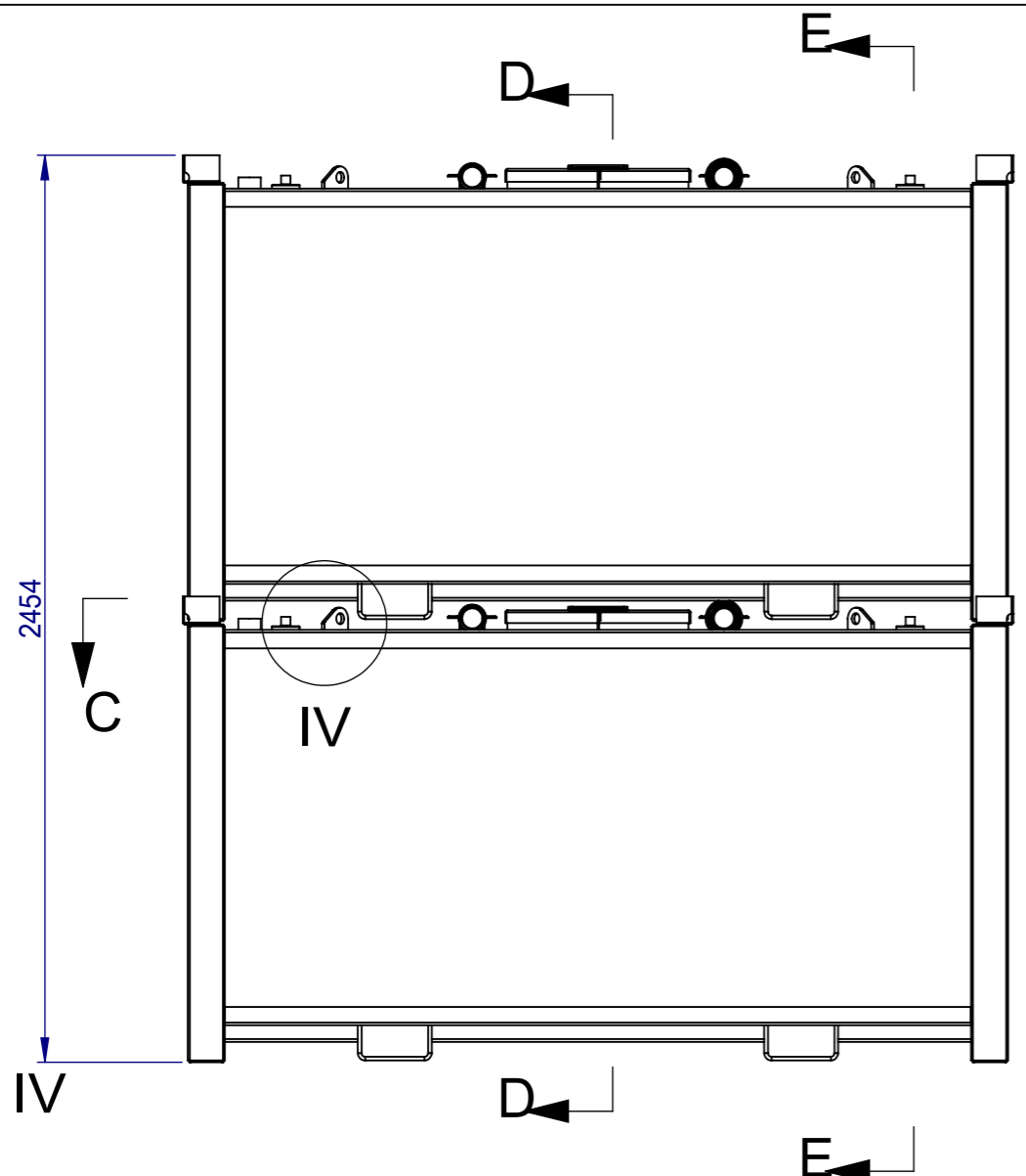
PURCHASE ORDER NO. :

REV: 01
SHEET: 4 of 6

Scale: No scale

A3





| | | | | | |
|------|-------|-----------|--------|----------|-----------|
| 07 | | | | | |
| 06 | | | | | |
| 05 | | | | | |
| 04 | | | | | |
| 03 | | | | | |
| 02 | | | | | |
| 01 | | | | | |
| REV: | DATE: | REVISION: | DRAWN: | CHECKED: | APPROVED: |

| | | | | |
|-----------|-----------|------------|----------------------|----|
| | DRAWN: | DATE: | TITLE: P2250 | |
| | | 2015/12/21 | | |
| | CHECKED: | DATE: | DRAWING NO. : | |
| | CLIENT: | DATE: | | |
| | APPROVED: | DATE: | PURCHASE ORDER NO. : | |
| Material: | | | | |
| Weight: | 1584.69KG | | REV: 01 | A3 |
| | | | SHEET: 5 of 6 | |
| | | | Scale: No scale | |