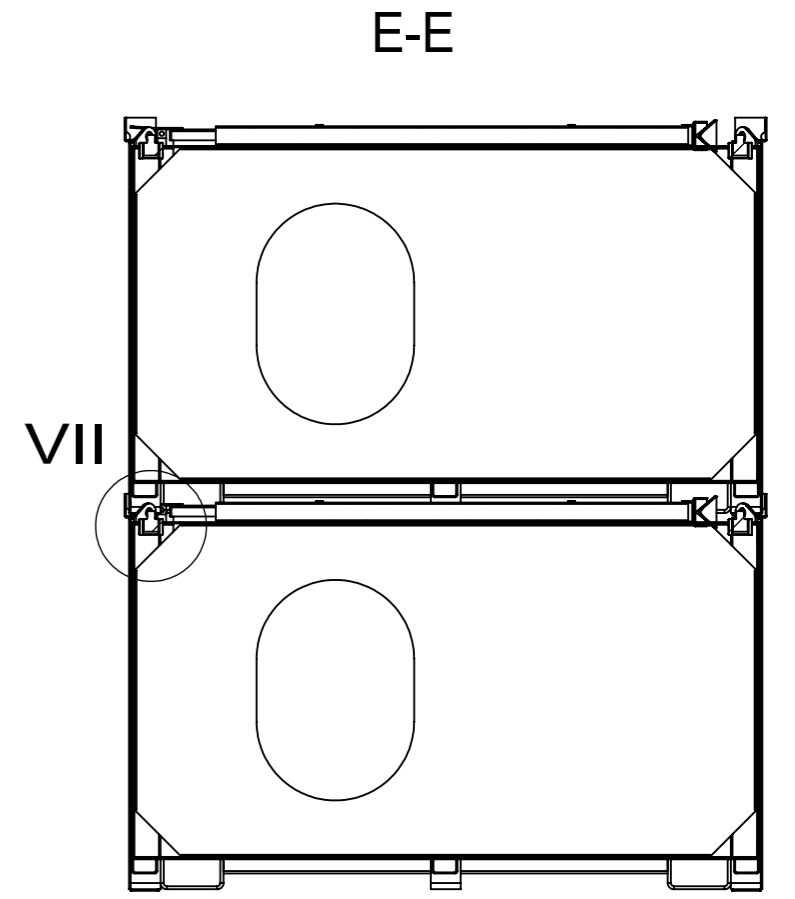
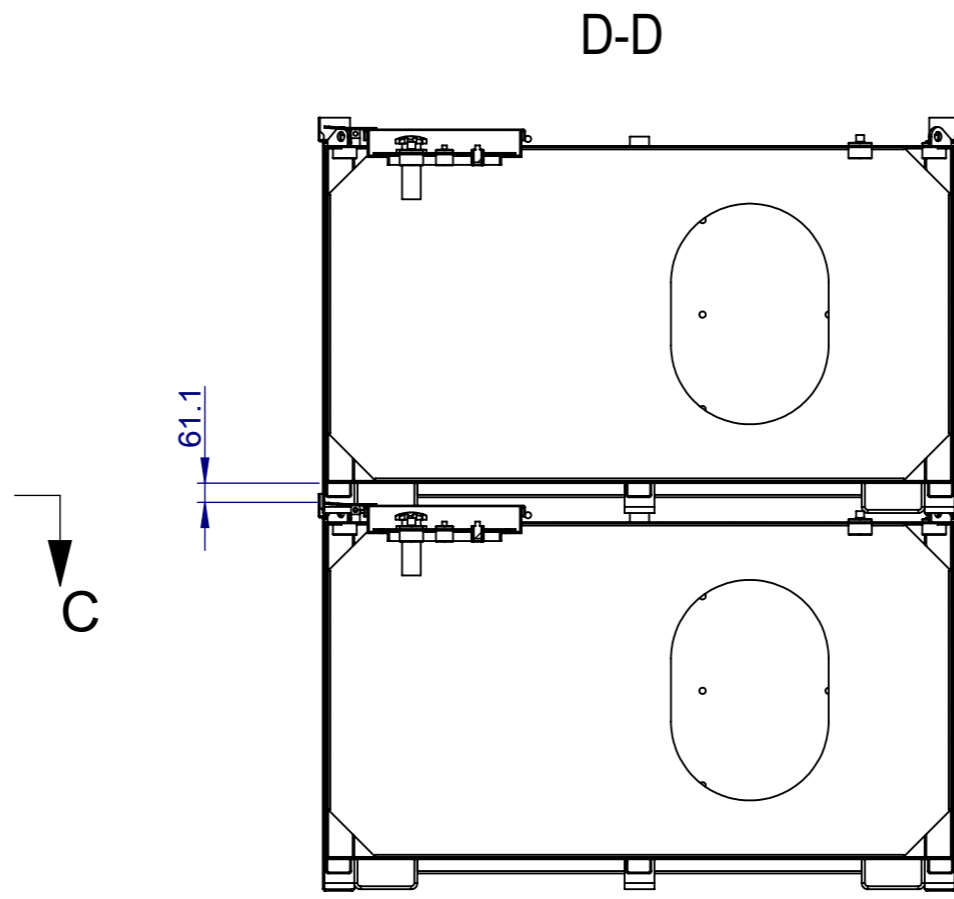
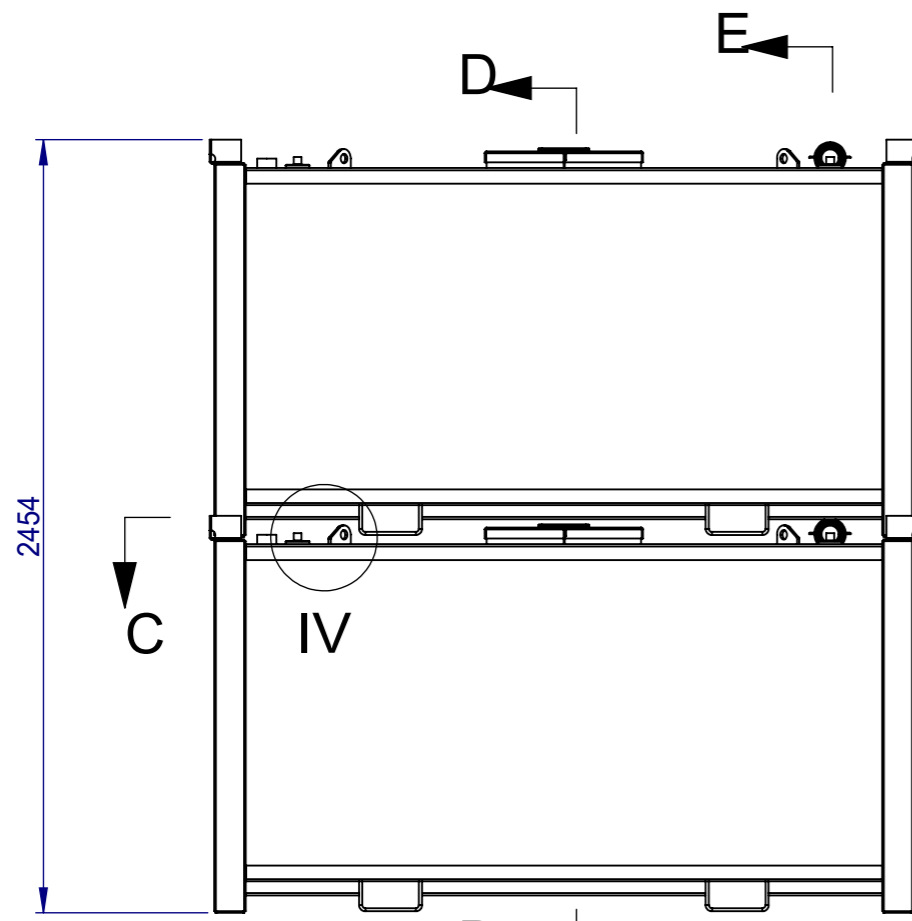


07					
06					
05					
04					
03					
02					
01					
REV:	DATE:	REVISION:	DRAWN:	CHECKED:	APPROVED:

	DRAWN:	DATE:	TITLE: P4500	
	CHECKED:	DATE:		
	CLIENT:	DATE:	DRAWING NO. :	
	APPROVED:	DATE:		
Material:			PURCHASE ORDER NO. :	
Weight:	1207.27KG		Scale: No scale	

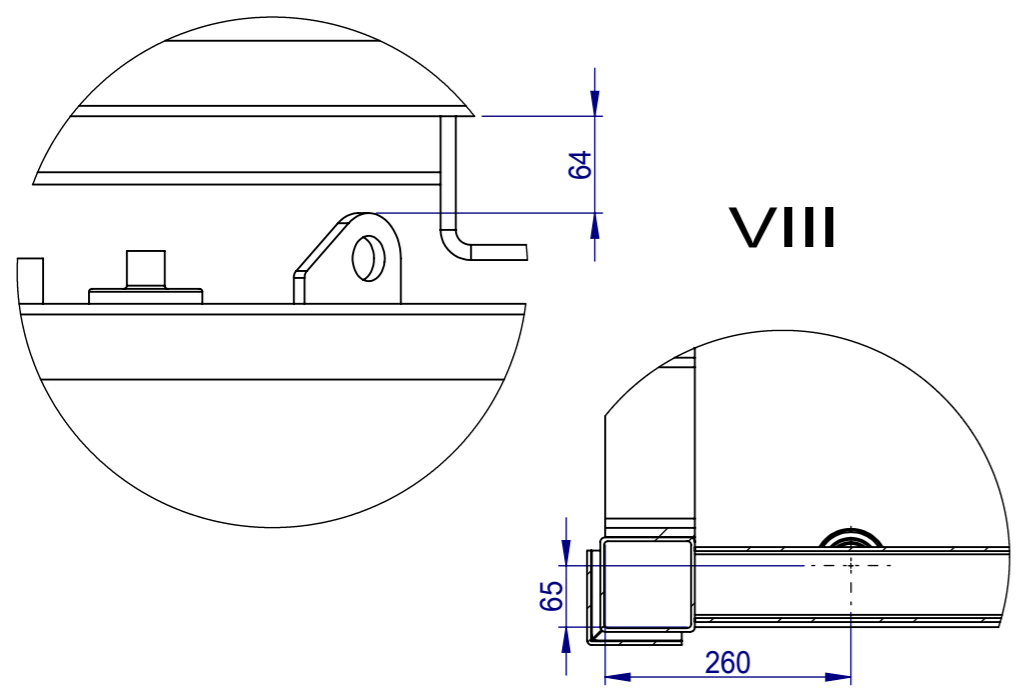
REV: 01  
SHEET: 3 of 5  
Scale: No scale

**A3**



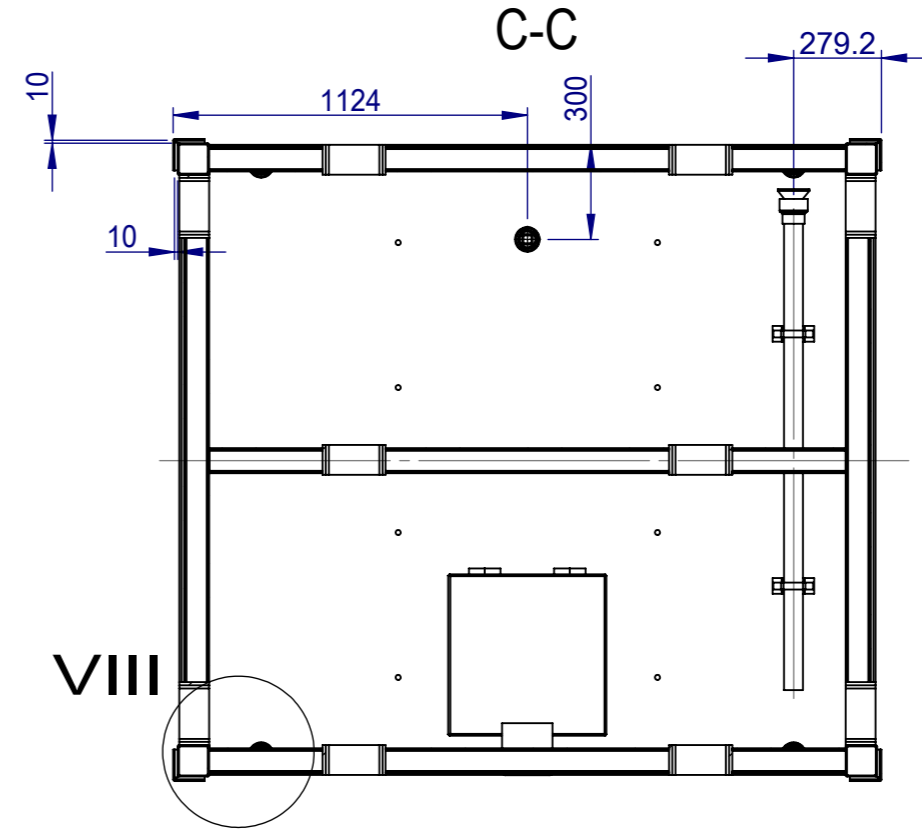
IV

VII



VIII

C-C



VIII

07					
06					
05					
04					
03					
02					
01					
REV:	DATE:	REVISION:	DRAWN:	CHECKED:	APPROVED:

	DRAWN:	DATE:	TITLE: P4500	
	CHECKED:	DATE:		
Material:	CLIENT:	DATE:	DRAWING NO. :	REV: 01
Weight: 2414.54KG	APPROVED:	DATE:	PURCHASE ORDER NO. :	SHEET: 4 of 5
				Scale: No scale

A3

