

Size	Total fill Level (L)	Safe fill Level (L) 95%	Length (mm)	Width (mm)	Height (mm)
X1100	1060L	1000L	1577	1132	1237

07					
06					
05					
04					
03					
02					
01					
REV:	DATE:	REVISION:	DRAWN:	CHECKED:	APPROVED:

Note:  
 > Designed and approved to AS1940 / AS1692 / AS1657  
 > All welding to AS1554.1



Material:  
 Weight: 545.68KG

DRAWN:  
 CHECKED:  
 CLIENT:  
 APPROVED:

DATE:  
 DATE:  
 DATE:  
 DATE:

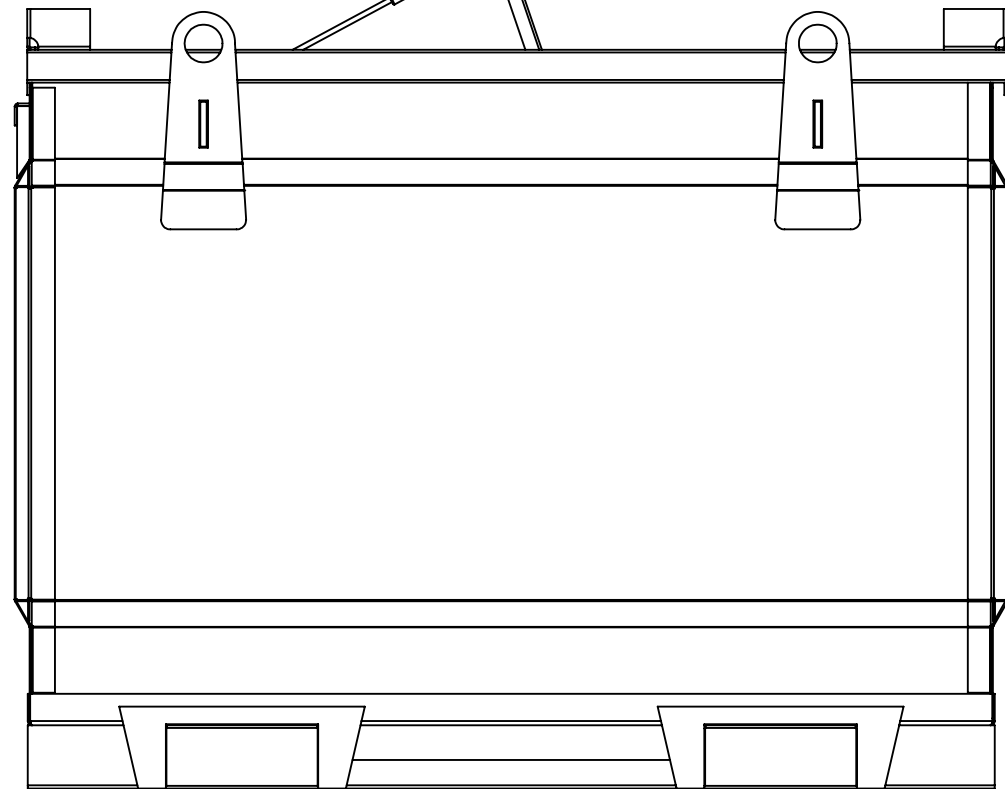
TITLE:  
 X1100  
 DRAWING NO. :  
 PURCHASE ORDER NO. :

REV:  
 01  
 SHEET:  
 1 of 4  
 Scale:  
 No scale

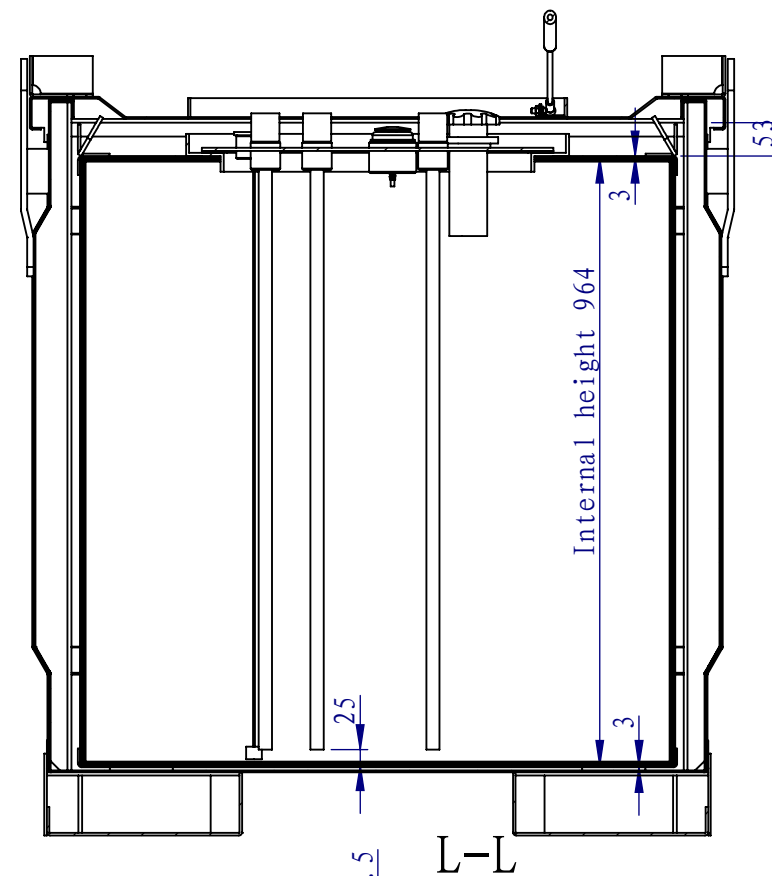
A3



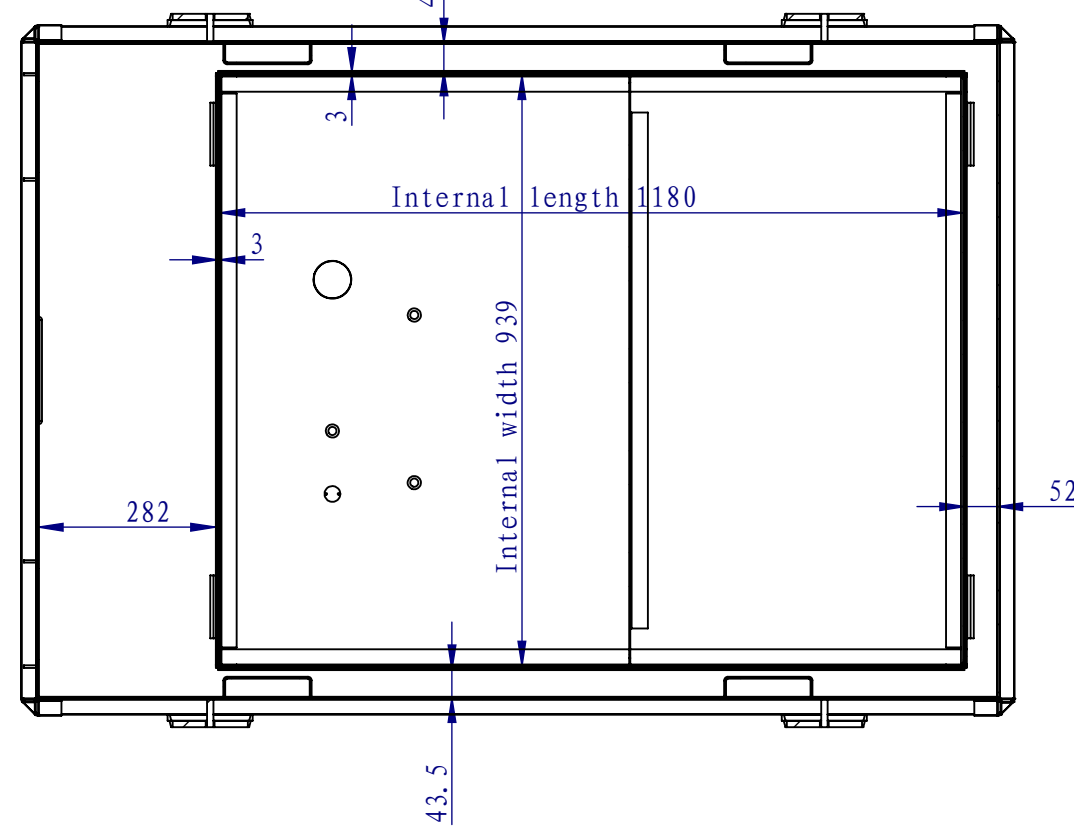
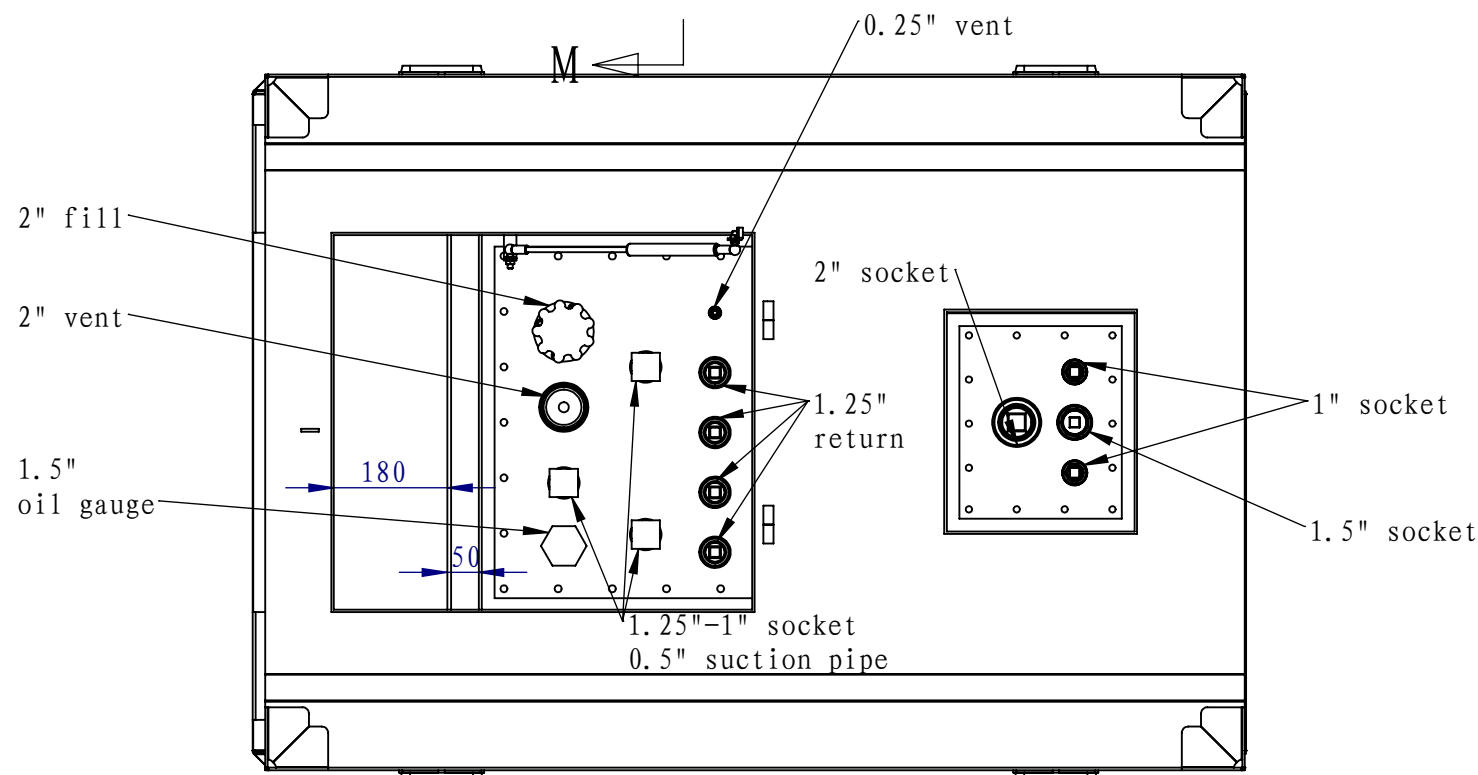
L



L



L-L



07					
06					
05					
04					
03					
02					
01					
REV:	DATE:	REVISION:	DRAWN:	CHECKED:	APPROVED:

Note:  
1. All thread is BSP;



Material:  
Weight: 545.68KG

DRAWN:  
DATE: 2016/7/11  
CHECKED:  
DATE:  
CLIENT:  
DATE:  
APPROVED:  
DATE:

TITLE:  
X1100

DRAWING NO. :

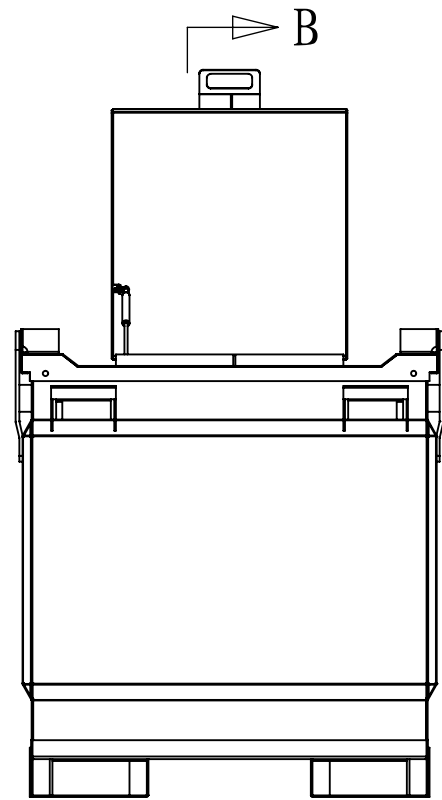
PURCHASE  
ORDER NO. :

REV:  
01  
SHEET:  
2 of 4

Scale:  
No scale

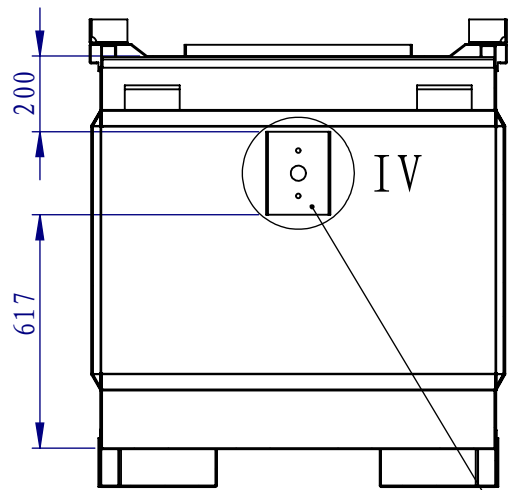
A3



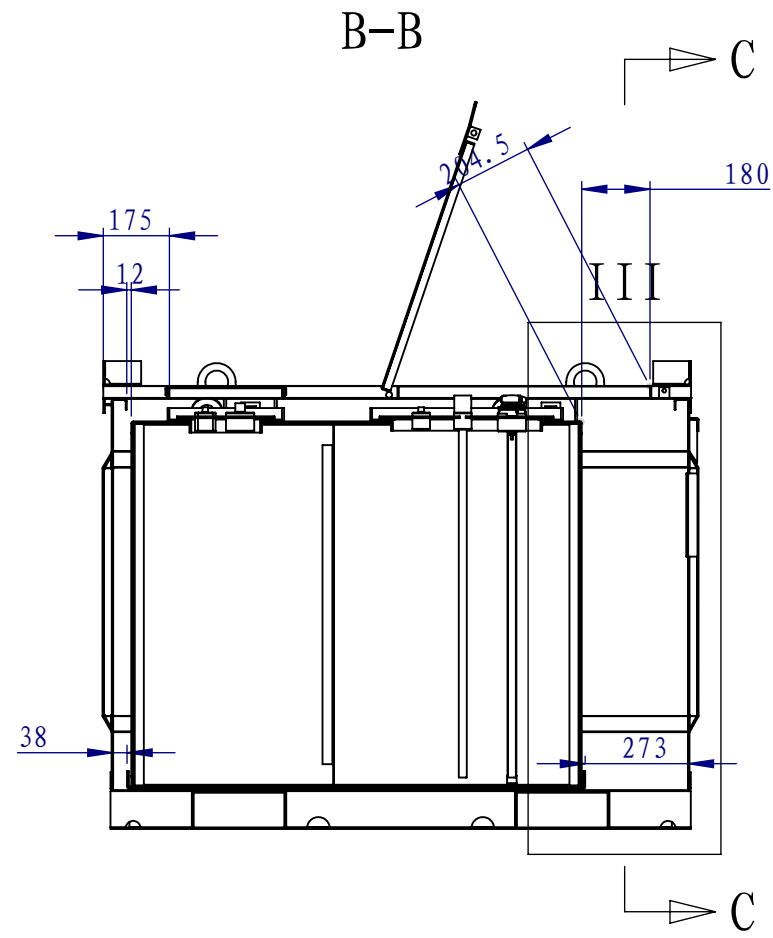


B

C-C

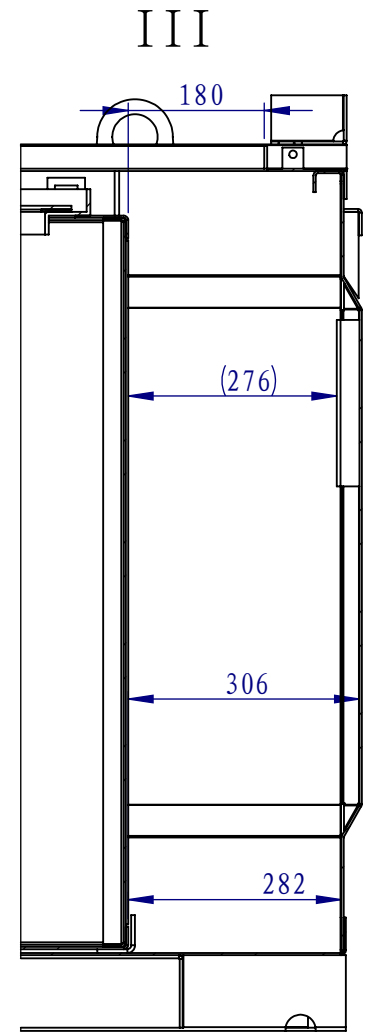


Pump block

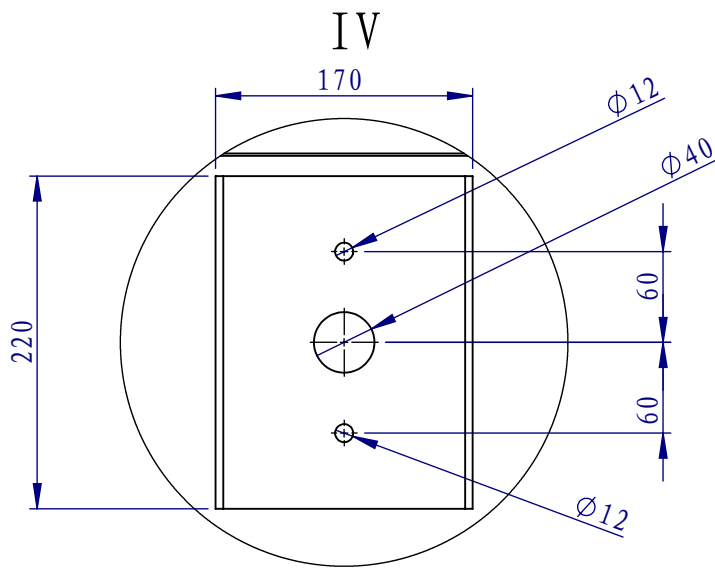


B-B

C



III



IV

07					
06					
05					
04					
03					
02					
01					
REV:	DATE:	REVISION:	DRAWN:	CHECKED:	APPROVED:



Material:  
Weight: 545.68KG

DRAWN: DATE: 2016/7/11  
 CHECKED: DATE:  
 CLIENT: DATE:  
 APPROVED: DATE:

TITLE: X1100

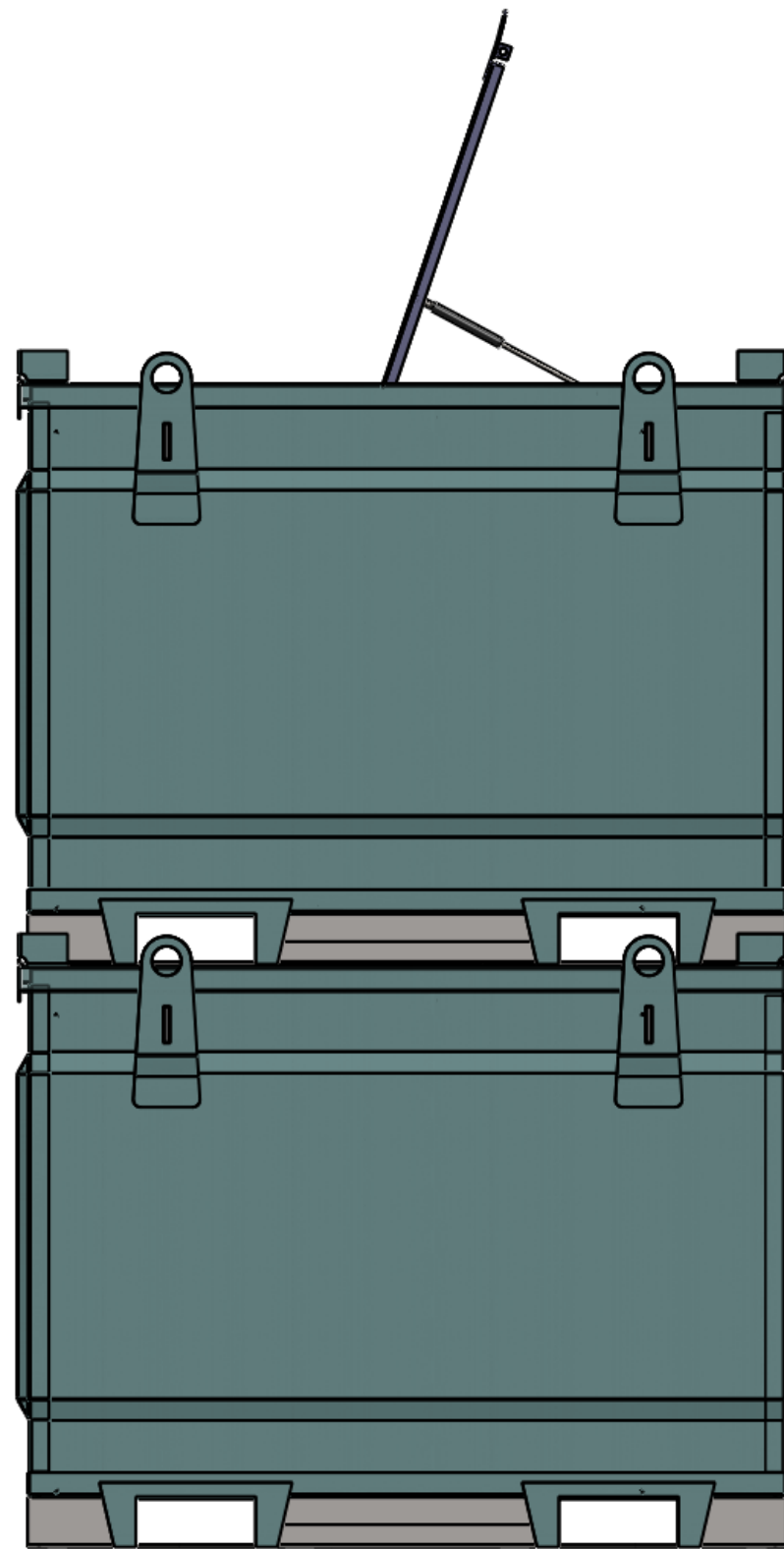
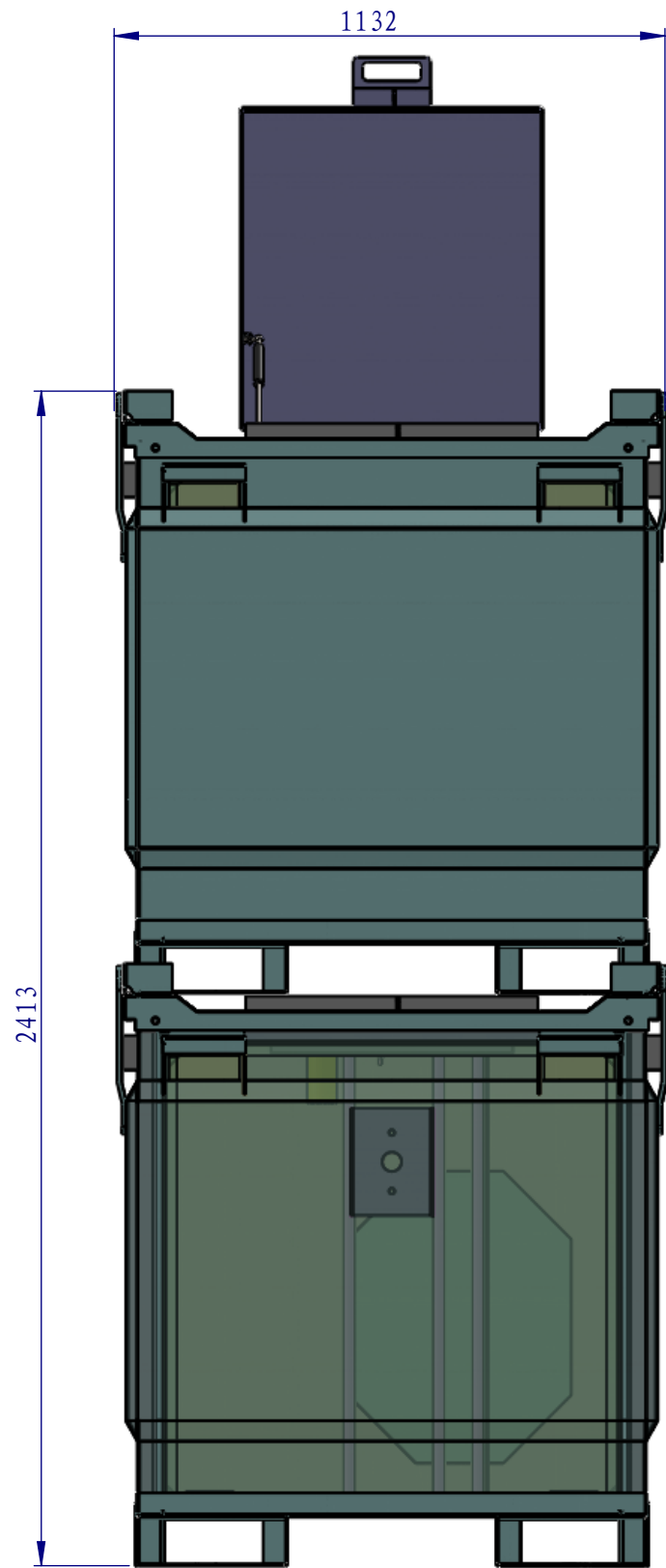
DRAWING NO. :

PURCHASE ORDER NO. :

REV: 01  
 SHEET: 3 of 4  
 Scale: No scale

A3





07					
06					
05					
04					
03					
02					
01					
REV:	DATE:	REVISION:	DRAWN:	CHECKED:	APPROVED:

Note:  
 > Designed and approved to AS1940 / AS1692 / AS1657  
 > All welding to AS1554.1



Material:  
 Weight: 1079.11KG

DRAWN: DATE: 2016/7/11  
 CHECKED: DATE:  
 CLIENT: DATE:  
 APPROVED: DATE:

TITLE:  
 X1100

DRAWING NO. :

PURCHASE  
 ORDER NO. :

REV: 01  
 SHEET: 4 of 4

Scale: No scale

A3

