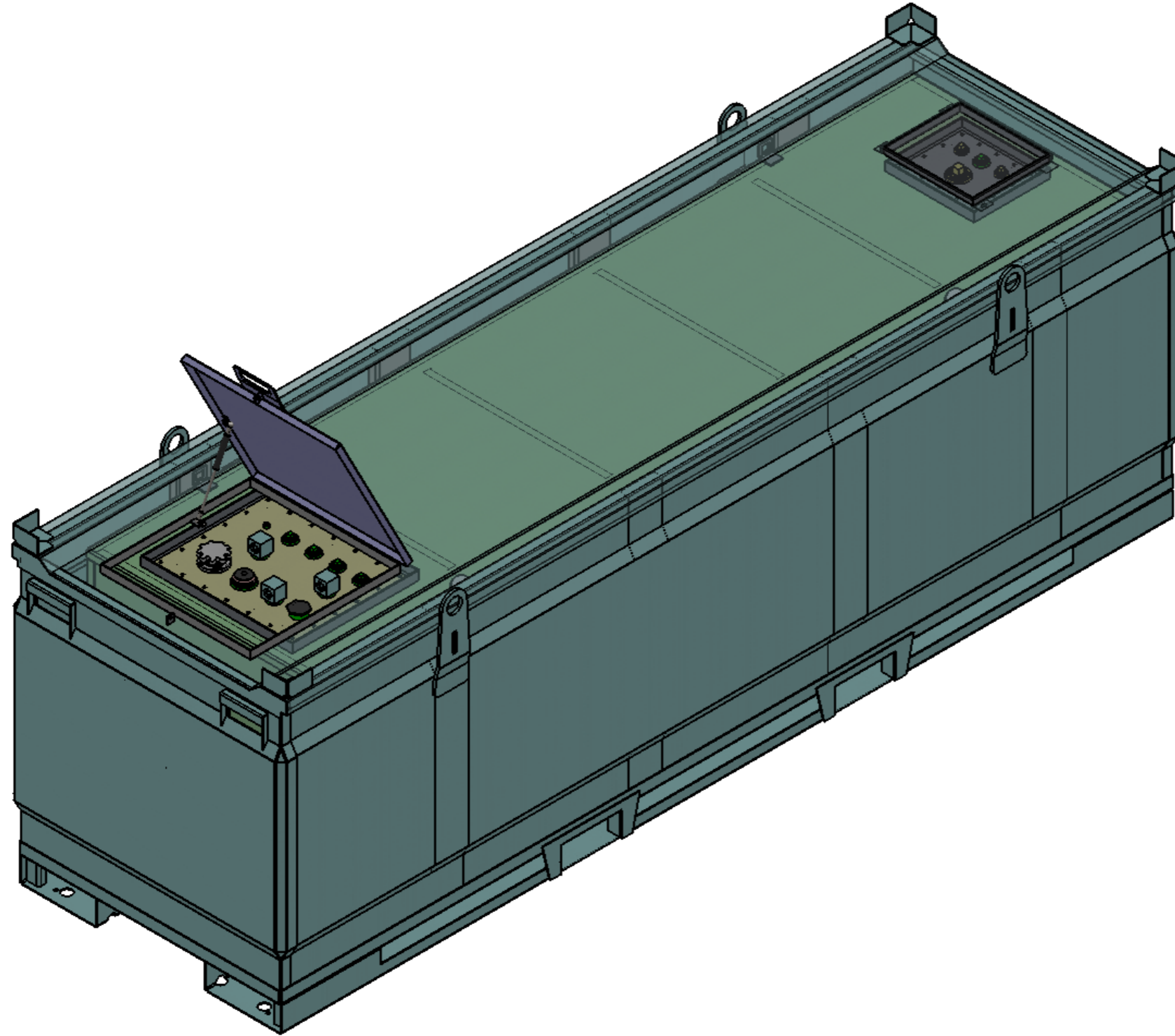


TANK DATA	
TANK CONTENTS:	DIESEL
GROSS VOLUME:	3000L
SAFE FILL LEVEL:	2700L
TOTAL MASS:	1138.82KG



07					
06					
05					
04					
03					
02					
01					
REV:	DATE:	REVISION:	DRAWN:	CHECKED:	APPROVED:

Note:
 > Designed and approved to AS1940 / AS1692 / AS1657
 > All welding to AS1554.1



Material:
 Weight: 1138.82KG

DRAWN:
 DATE: 2016/1/27
 CHECKED:
 DATE:
 CLIENT:
 DATE:
 APPROVED:
 DATE:

TITLE:
 X3000

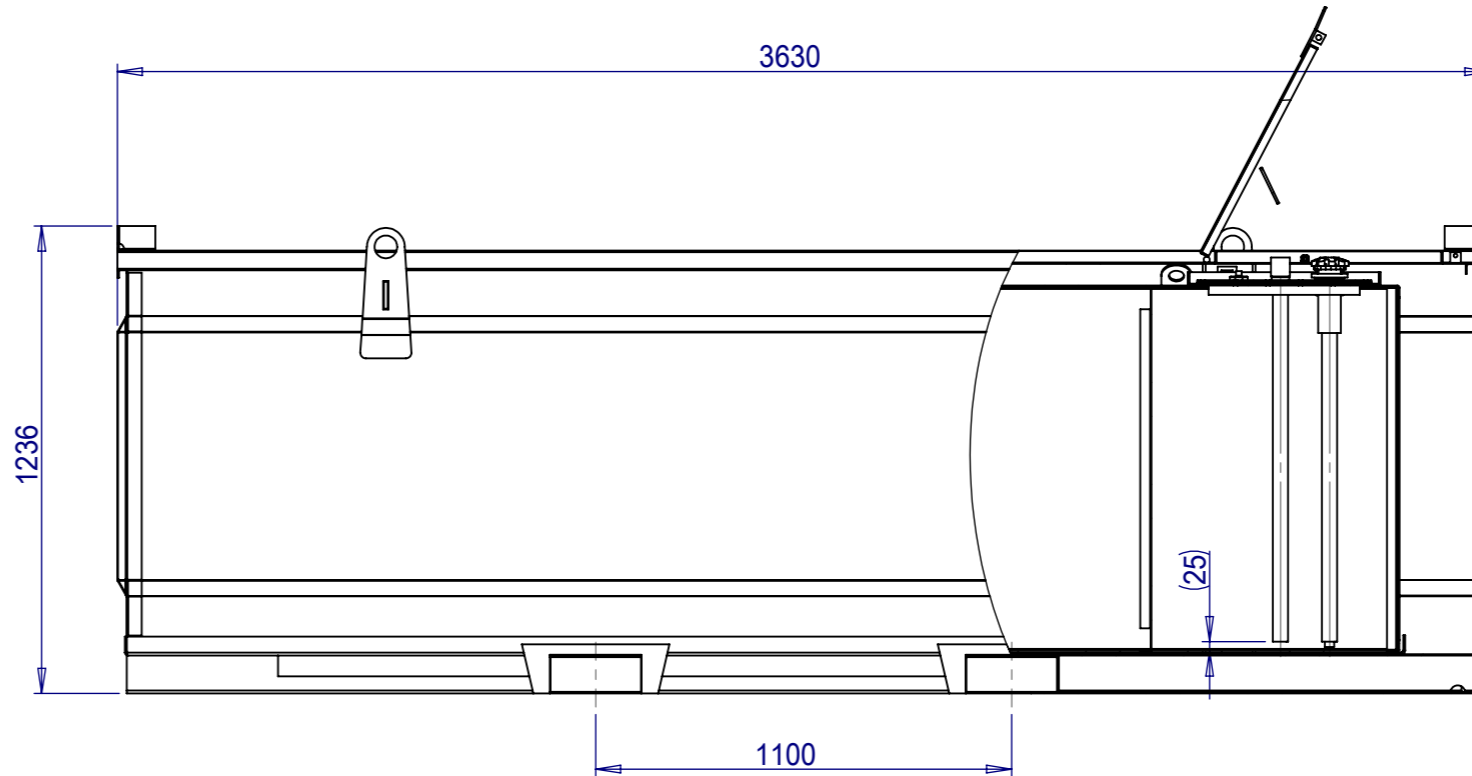
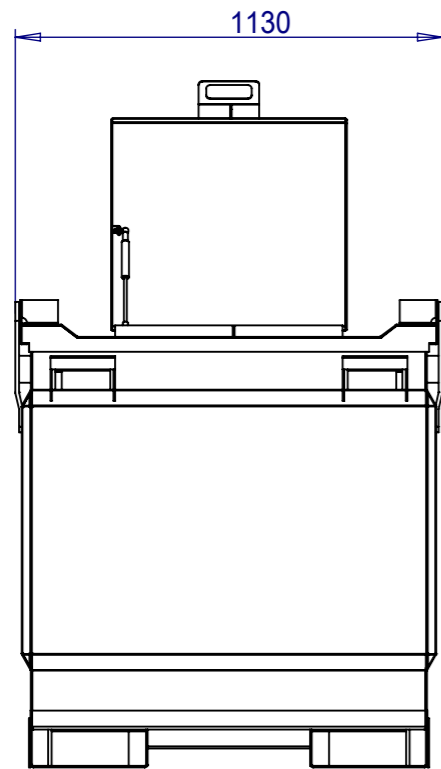
DRAWING NO. :

PURCHASE
 ORDER NO. :

REV:
 01
 SHEET:
 1 of 3
 Scale:
 No scale

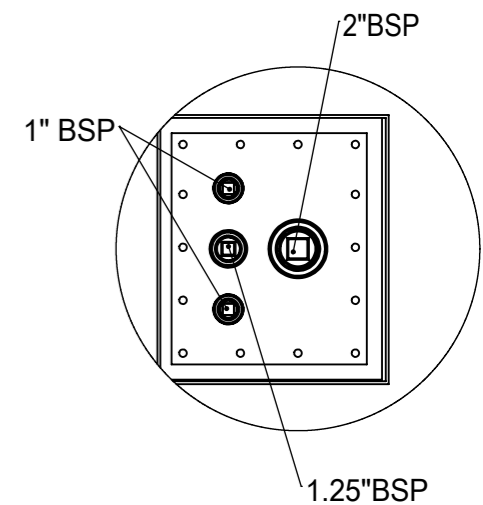
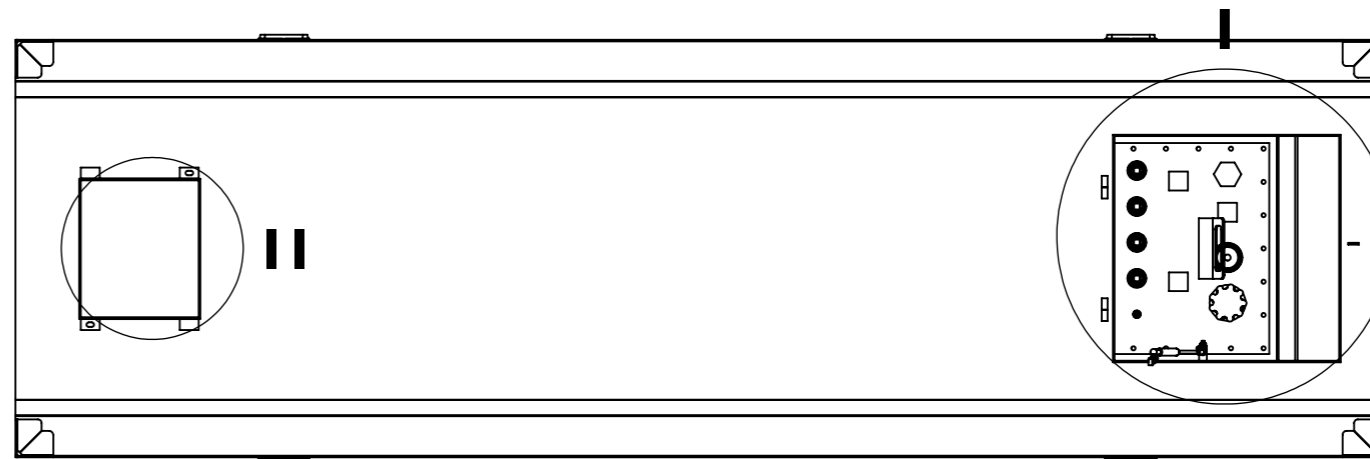
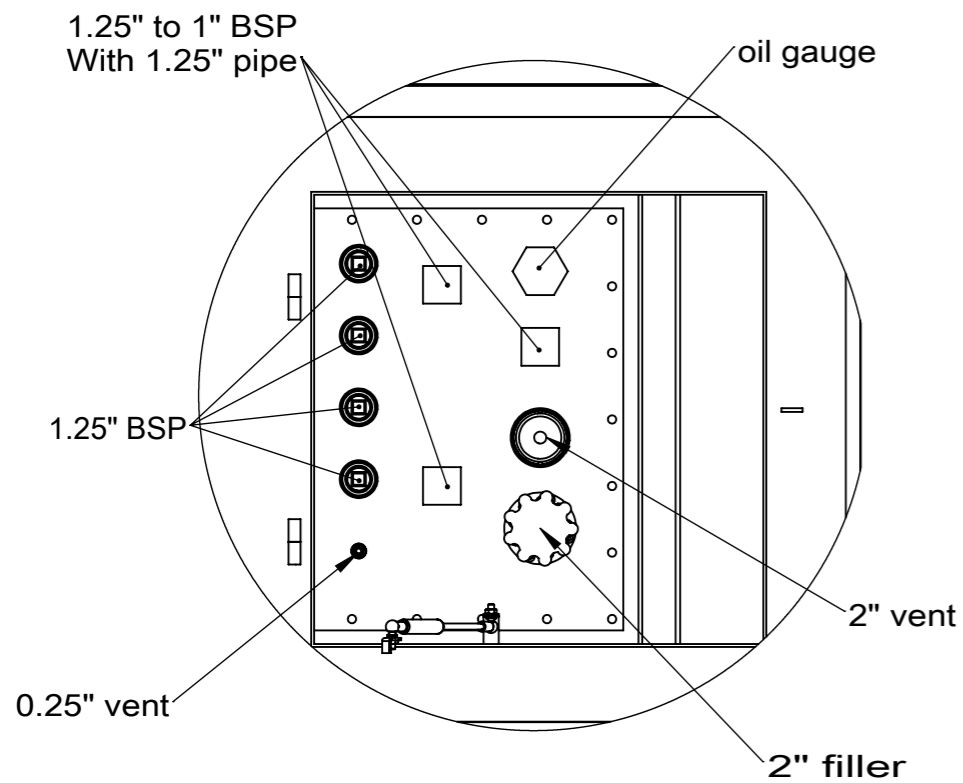
A3





I

II



07					
06					
05					
04					
03					
02					
01					
REV:	DATE:	REVISION:	DRAWN:	CHECKED:	APPROVED:



Material:
Weight: 1138.82KG

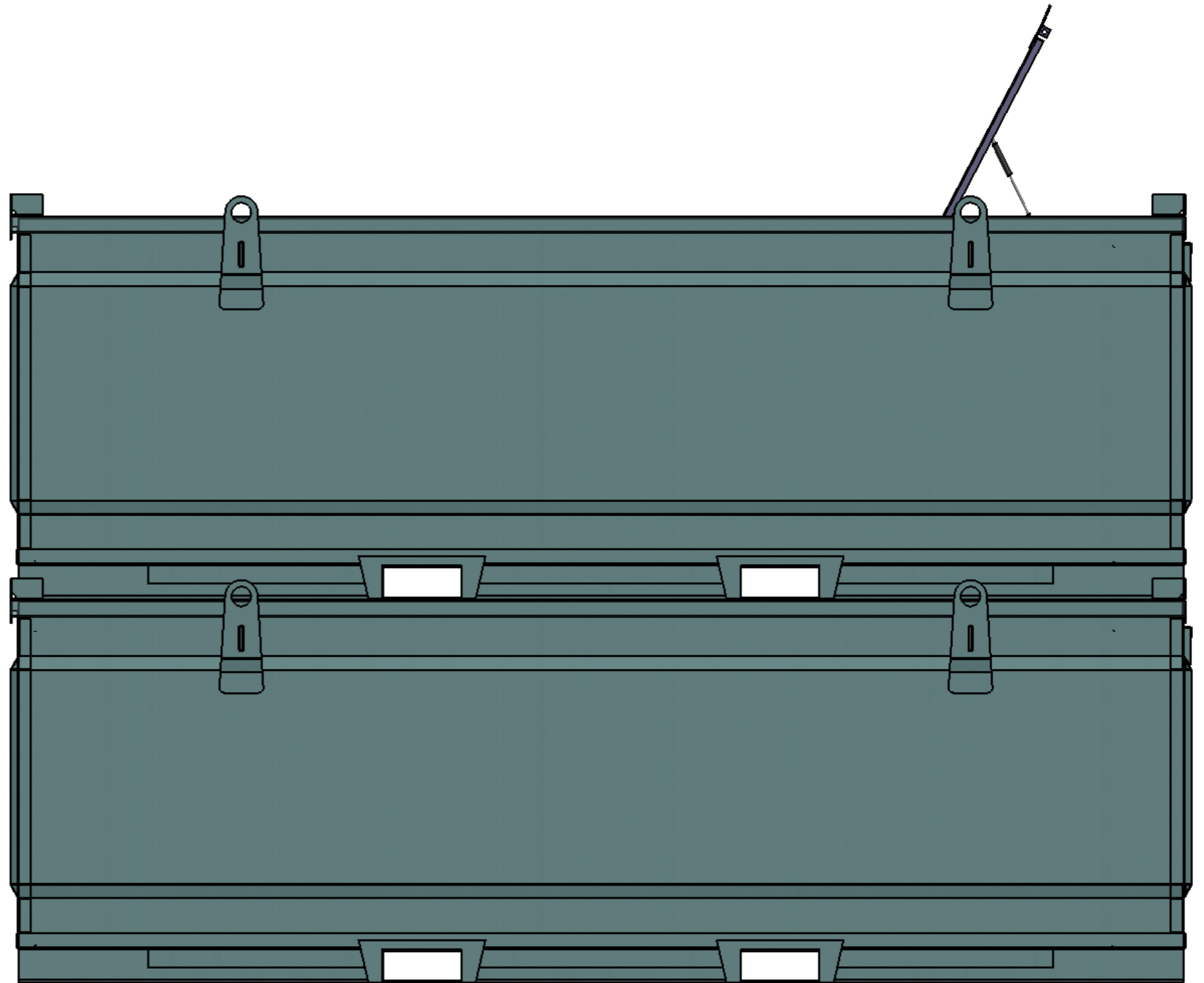
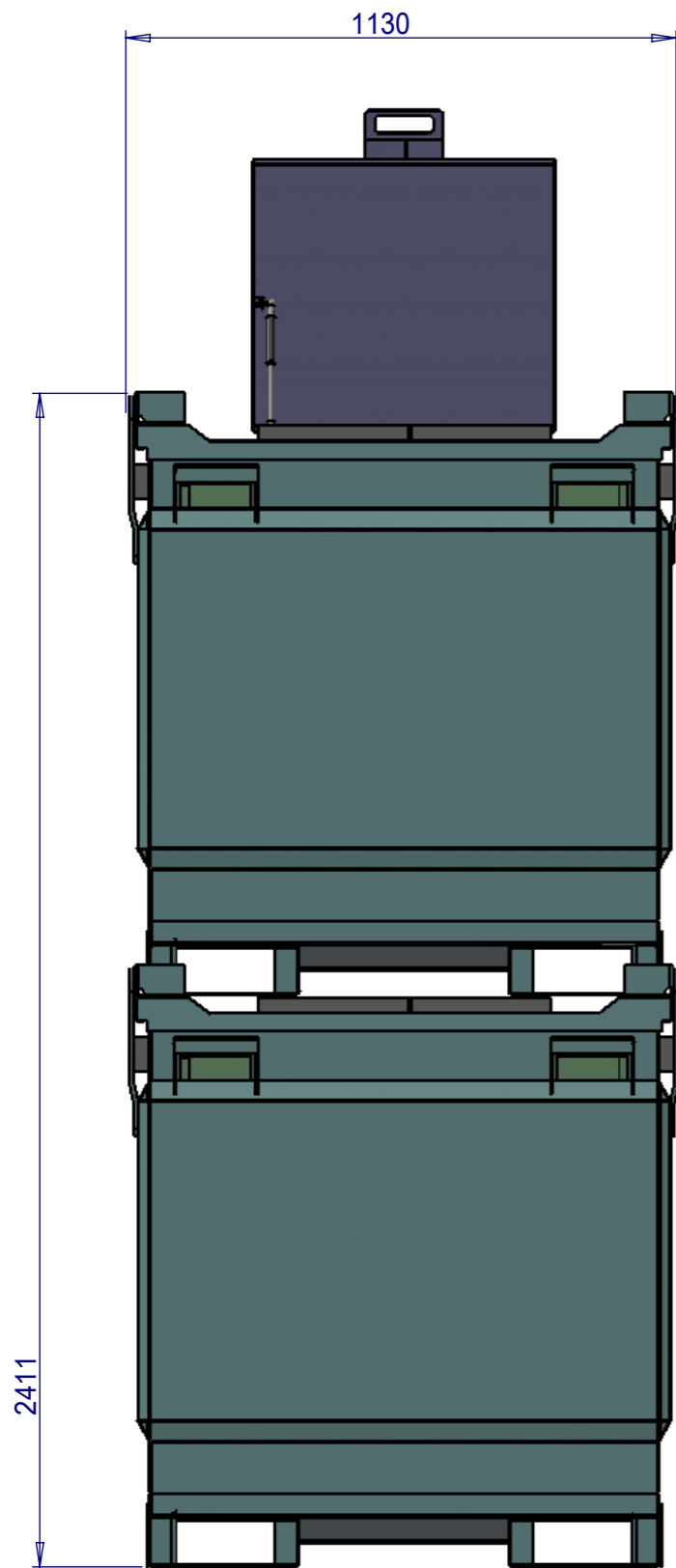
DRAWN:
DATE: 2016/1/27
CHECKED:
DATE:
CLIENT:
DATE:
APPROVED:
DATE:

TITLE:
X3000
DRAWING NO. :
PURCHASE ORDER NO. :

REV: 01
SHEET: 2 of 3
Scale: No scale

A3





07					
06					
05					
04					
03					
02					
01					
REV:	DATE:	REVISION:	DRAWN:	CHECKED:	APPROVED:

Note:
 > Designed and approved to AS1940 / AS1692 / AS1657
 > All welding to AS1554.1



Material:
 Weight: 2277.63KG

DRAWN:
 CHECKED:
 CLIENT:
 APPROVED:

DATE:
 DATE:
 DATE:
 DATE:

TITLE:
 X3000
 DRAWING NO. :
 PURCHASE ORDER NO. :

REV:
 01
 SHEET:
 3 of 3
 Scale:
 No scale

A3

