

Size	Total Fill Level (L)	Safe Fill Level (L) 95%	Length (mm)	Width (mm)	Height (mm)
X450	450L	420L	1375	1000	790

07					
06					
05					
04					
03					
02					
01					
REV:	DATE:	REVISION:	DRAWN:	CHECKED:	APPROVED:

**Note:**  
 > Designed and approved to AS1940 / AS1692 / AS1657  
 > All welding to AS1554.1



Material:  
 Weight: 378.42KG

DRAWN:  
 DATE: 2016/7/7  
 CHECKED:  
 DATE:  
 CLIENT:  
 DATE:  
 APPROVED:  
 DATE:

TITLE:  
 X450

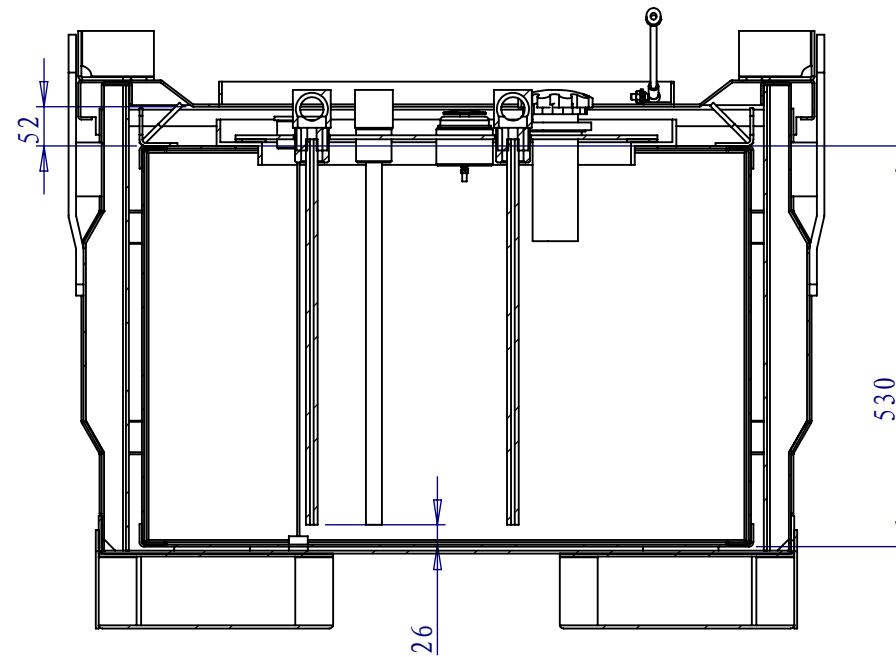
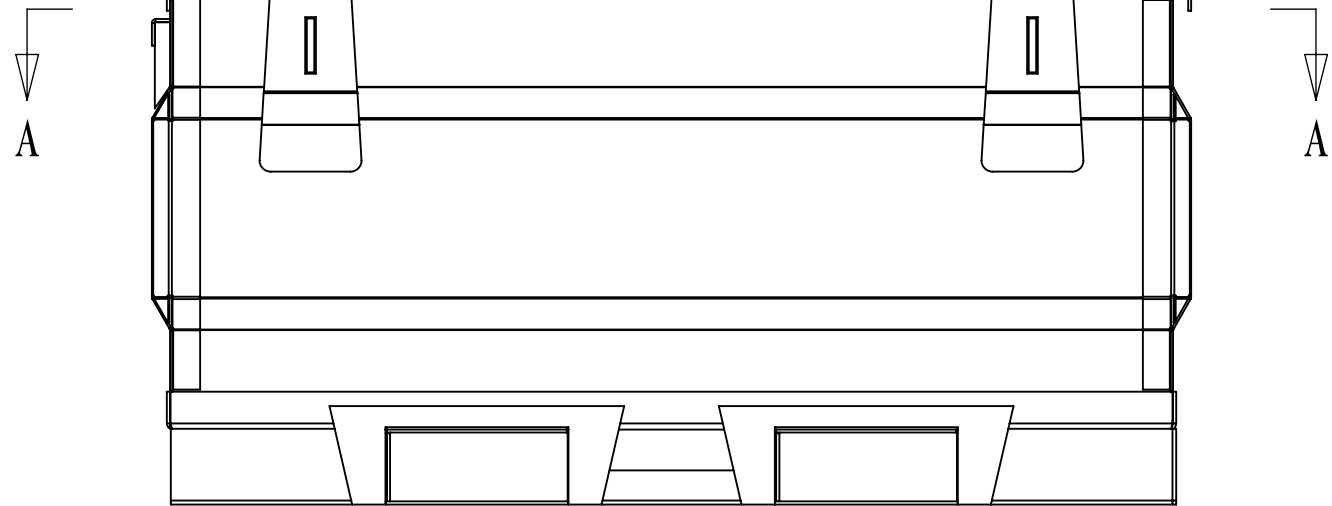
DRAWING NO. :

PURCHASE ORDER NO. :

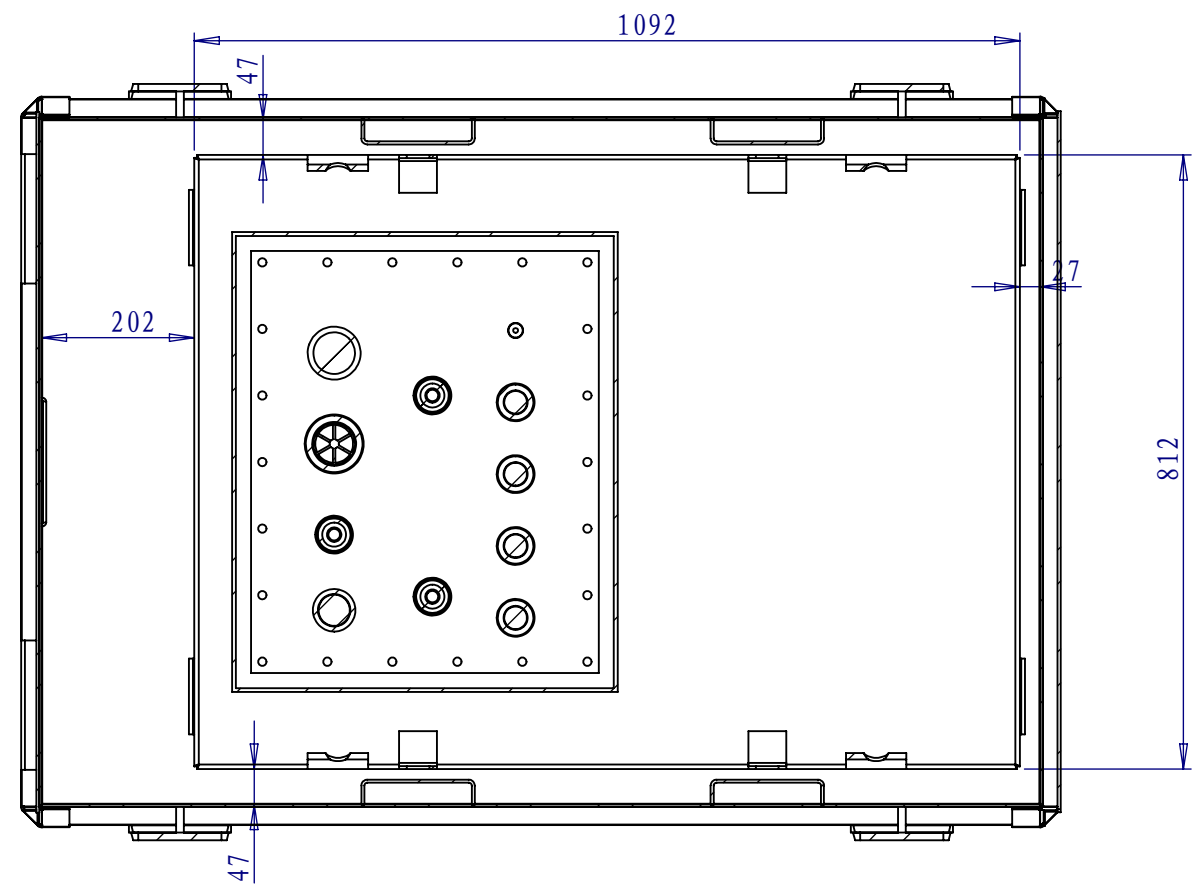
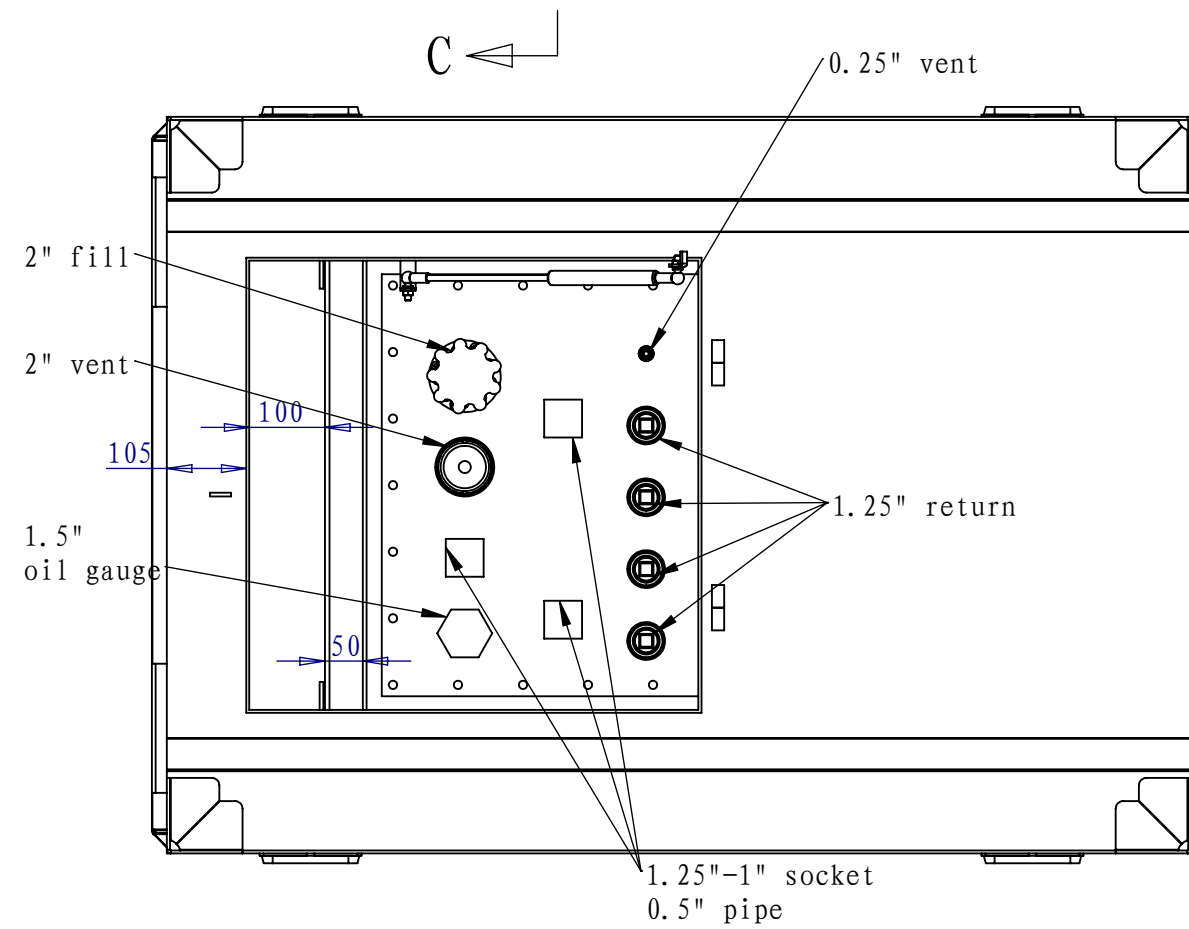
REV: 01  
 SHEET: 1 of 3  
 Scale: No scale

A3





A-A



07					
06					
05					
04					
03					
02					
01					
REV:	DATE:	REVISION:	DRAWN:	CHECKED:	APPROVED:

NOTE:  
1. All thread is BSP;



Material:  
Weight: 378.42KG

DRAWN:  
CHECKED:  
CLIENT:  
APPROVED:

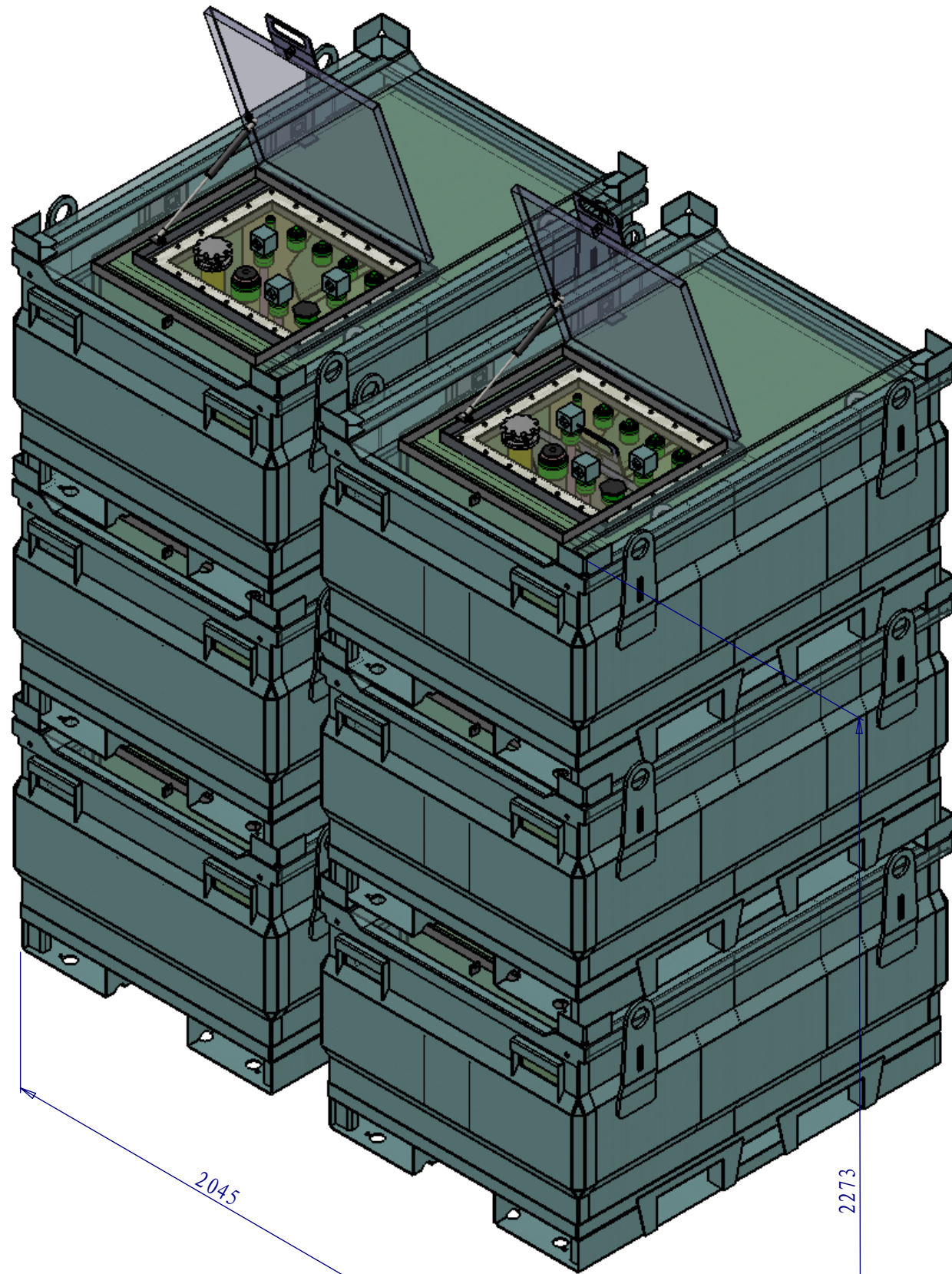
SAVING DATE: 2016/7/7  
DATE:  
DATE:  
DATE:

TITLE: X450  
DRAWING NO. :  
PURCHASE ORDER NO. :

REV:  
SHEET: 2 of 3  
Scale: No scale

A3





07					
06					
05					
04					
03					
02					
01					
REV:	DATE:	REVISION:	DRAWN:	CHECKED:	APPROVED:

Note:  
 > Designed and approved to AS1940 / AS1692 / AS1657  
 > All welding to AS1554.1



Material:  
 Weight: 2259.35KG

DRAWN:      DATE: 2016/7/7  
 CHECKED:    DATE:  
 CLIENT:      DATE:  
 APPROVED:   DATE:

TITLE: X450  
 DRAWING NO. :  
 PURCHASE ORDER NO. :

REV: 01  
 SHEET: 3 of 3  
 Scale: No scale

A3

